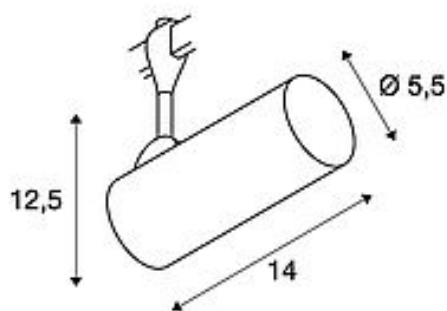
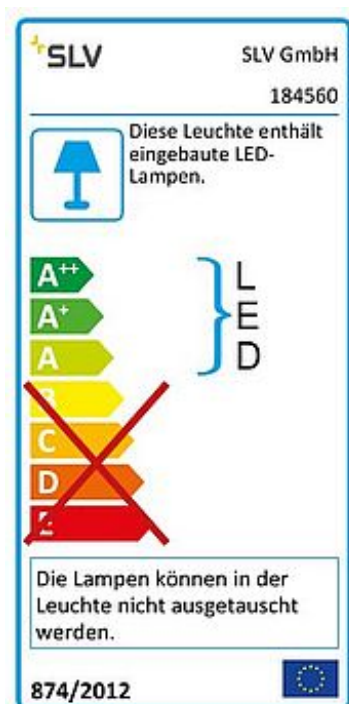
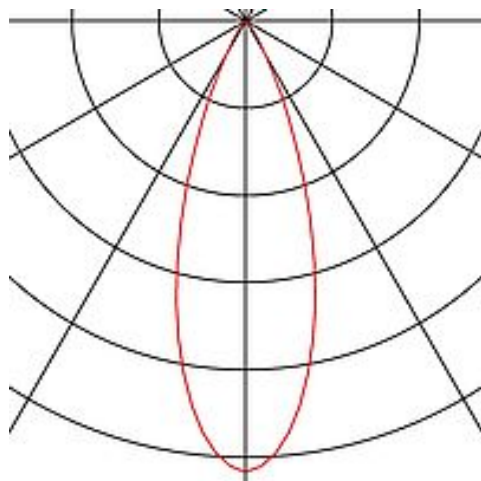


**SLV HELIA 50**

spot for EASYTEC II high-voltage track, LED, 3000K, black, 35°, incl. EASYTEC II Adapter



Article number	184560
Feed-in capability	No
Lamp included	No
Tilt range	90 Degree
Rotation range	350 Degree
Length	14 cm
Height	17 cm
Diameter	5.5 cm
Net weight	0.378 kg
Gross weight	0.505 kg
Voltage	220-240V ~50/60Hz sec. 500mA
Protection class	I
Beam angle	35 Degree
Average lifespan	30000 Hours
Colour temperature	3000 Kelvin
Colour rendering index	90
Luminous flux	750 lm
Energy efficiency class	A++
Way of mounting	Surface mounted / Ceiling track / Wall track
Colour	black
Form	round
Light distribution type 1	direct
Light distribution type 2	rotational symmetric
Material	Aluminium



Articles of this series

185712	RAKA, spot for 240V track EASYTEC II, QPAR51, chrome/black, max. 50W
184542	BLOX, spot for 240V track EASYTEC II, QPAR51, silver-grey, max. 50W
185742	GX53 SPOT, for 240V track EASYTEC II, TCR-TSE, chrome, energy-saving lamp, max. 13W
184152	YANTI, spot for 240V track EASYTEC II, silver-grey/white, QT14, max. 40W
184071	KANO, spot for 240V track EASYTEC II, QPAR51, silver-grey, max. 50W
184090	SIENA, spot for 240V track EASYTEC II, QPAR51, black, max. 75W, incl. deco ring
184091	SIENA, spot for 240V track EASYTEC II, QPAR51, white, max. 75W, incl. deco ring
184740	GX53 SPOT, spot for 240V track EASYTEC II, TCR-TSE, black, energy-saving lamp, max. 13W
184741	GX53 SPOT, spot for 240V track EASYTEC II, TCR-TSE, white, energy-saving lamp, max. 13W
184440	BIMA 2, spot for 240V track EASYTEC II, QPAR51, double-headed, black, 2x50W max.
184441	BIMA 2, spot for 240V track EASYTEC II, QPAR51, double-headed, white, 2x50W max.
184450	BIMA 1, spot for 240V track EASYTEC II, QPAR51, single-headed, black, max. 50W
184451	BIMA 1, spot for 240V track EASYTEC II, QPAR51, single-headed, white, max. 50W
184442	BIMA, spot for 240V track EASYTEC II, QPAR51, double-headed, silver-grey, max. 100W
184530	TONGA 4, pendant for 240V track EASYTEC II, C35, black, white ceramic, max. 60W
184534	TONGA 4, pendant for 240V track EASYTEC II, C35, silver-grey, white ceramic, max. 60W
184531	TONGA 4, pendant for 240V track EASYTEC II, C35, white, white ceramic, max. 60W
184561	HELIA 50, spot for EASYTEC II high-voltage track, LED, 3000K, white, 35°, incl. EASYTEC II Adapter

184580	LIGHT EYE, spot for 240V track EASYTEC II, QPAR111, black, max. 75W
184581	LIGHT EYE, spot for 240V track EASYTEC II, QPAR111, white, max. 75W
184590	LIGHT EYE, pendant for 240V track EASYTEC II, QPAR111, black, max. 75W
184591	LIGHT EYE, pendant for 240V track EASYTEC II, QPAR111, white, max. 75W
184620	YOKI, spot for 240V track EASYTEC II, QPAR111, black, max. 75W, incl. deco ring
184621	YOKI, spot for 240V track EASYTEC II, QPAR111, white, max. 75W, incl. deco ring
184630	ANILA, spot for 240V track EASYTEC II, QPAR51, black, max. 50W
184631	ANILA, spot for 240V track EASYTEC II, QPAR51, white, max. 50W
185692	LIGHT EYE, spot for 240V track EASYTEC II, QPAR51, chrome, max. 50W
184690	LIGHT EYE, spot for 240V track EASYTEC II, QPAR51, black, max. 50W
184691	LIGHT EYE, spot for 240V track EASYTEC II, QPAR51, white, max. 50W
185592	LIGHT EYE, pendant for 240V track EASYTEC II, QPAR111, chrome, max. 75W
184092	SIENA, spot for 240V track EASYTEC II, QPAR51, silver-grey, max. 75W, incl. deco ring
185092	SIENA, spot for 240V track EASYTEC II, QPAR51, chrome, max. 75W, incl. deco ring
184221	PIRUS, pendant for 240V track EASYTEC II, TC-(D,H,T,Q)SE, chrome, frosted glass, energy saving lamp max. 11W
184452	BIMA 1, spot for 240V track EASYTEC II, QPAR51, single-headed, silver-grey, max. 50W
185440	BIMA 2, spot for 240V track EASYTEC II, double-headed, QPAR51, chrome/black, max. 100W
185450	BIMA 1, spot for 240V track EASYTEC II, single-headed, QPAR51, chrome/black, max. 50W

---

184521	BIBA, pendant for 240V track EASYTEC II, C35, silver-grey, frosted glass, max. 60W
--------	--

---

185521	BIBA, pendant for 240V track EASYTEC II, C35, chrome, frosted glass, max. 60W
--------	---

---

185590	LIGHT EYE, pendant for 240V track EASYTEC II, QPAR111, chrome/black, max. 75W
--------	---

---

184624	YOKI, spot for 240V track EASYTEC II, QPAR111, silver-grey, max. 75W, incl. deco ring
--------	---

---

185622	YOKI, spot for 240V track EASYTEC II, QPAR111, chrome, max. 75W, incl. deco ring
--------	--

---

185580	LIGHT EYE, spot for 240V track EASYTEC II, QPAR111, chrome/black, max. 75W
--------	--

---

185582	LIGHT EYE, spot for 240V track EASYTEC II, QPAR111, chrome, max. 75W
--------	--

---

184634	ANILA, spot for 240V track EASYTEC II, QPAR51, silver-grey, max. 50W
--------	--

---

185632	ANILA, spot for 240V track EASYTEC II, QPAR51, chrome, max. 50W
--------	---

Swivelling and tiltable HELIA 60 LED spot with suitable adapter for the EASYTEC II track system. The luminaire impresses with its slim design and is therefore ideal for modern lighting concepts. The luminaire is made from aluminium and equipped with a Premium LED module.

## Notes

---

---

---