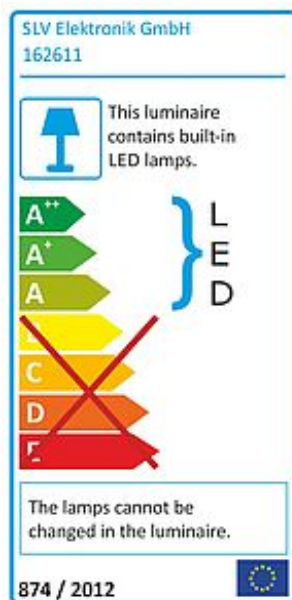


## SKALUX recessed ceiling luminaire

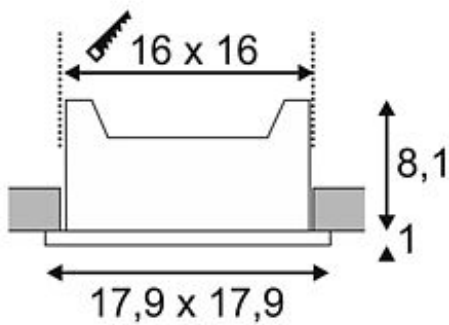
square, white, 3000K



Article number	162611
Catalogue	BIG WHITE 2015, Page 464
Type of lamp	LED lamp
Lamp	SMD LED
Number of light sources	48
Lamp included	Yes
Installation length	16 cm
Installation width	16 cm
Installation depth	8.5 cm
Length	17.9 cm
Width	17.9 cm
Height	9.1 cm
Net weight	0.803 kg
Gross weight	1.092 kg
Voltage	230 Volt
Max. wattage	18.7 Watt
Protection class	I
Beam angle	90 Degree
Material	aluminium / plastic
Colour	white
Way of mounting	recessed ceiling mounting
Remark 1	For recessed installation in ceilings with a maximum thickness of 25 mm
Average lifespan	25000 Hours
Colour temperature	3000 Kelvin
Colour rendering index	80
Luminous flux	1200 lm
Suitable for lamps from EEC	A
Suitable for lamps up to EEC	A++
Light distribution type 1	direct

Light distribution  
type 3

axisymmetric



With the SKALUX series, we offer you state-of-the-art recessed and surface-mounted LED ceiling lights. The integrated diffuser pane ensures glare-free illumination. Equipped with powerful SMD LEDs, the lights are suitable for a large number of applications. Available in several colour versions, the electrical connection is made via 230V mains thanks to the incorporated LED power supply. This luminaire contains built-in LED lamps. EEK: A - A++. The lamps cannot be changed in the luminaire.