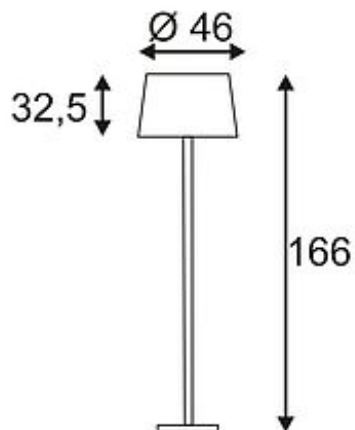


BISHADE floor lamp

SL-1, E27, max. 40W

Article number	155652
Catalogue	BIG WHITE 2015, Page 43
Type of lamp	Conventional lamp
Lamp	E27 230V max. 40W
Lampholder / Socket	E27
Number of light sources	1
Lamp included	No
Height	166 cm
Diameter	46 cm
Net weight	6.644 kg
Gross weight	5.684 kg
Voltage	230 Volt
Max. wattage	40 Watt
Protection class	II
Material	textile / steel / synthetic leather
Colour	black / white / chrome
Way of mounting	mobile
Remark 1	Maximum length energy saver 22 cm. Base (Ø / H): 28 / 3 cm
Remark 2	200 cm connection lead with switch and plug included
Remark 3	Two semi-transparent shades. Outside black, inside white
Remark 4	Energy labels in your language are available in the Service Area sub point Download
Suitable for lamps from EEC	E
Suitable for lamps up to EEC	A+
Type of plug	2 pin flat euro plug
Light distribution type 1	direct-indirect
Light distribution type 3	rotationally symmetric



The BISHADE floor luminaire consists of two optical lamp shades that set a strong design aspect in their combination. In addition, the high-quality leather and steel elements completes a successful living room lighting concept. Provided for E27 incandescent or energy-saving lamps, BISHADE is ready for direct connection to 230V mains supply via connection lead with incorporated switch and mains plug. This luminaire is compatible with bulbs of the energy classes: E - A+