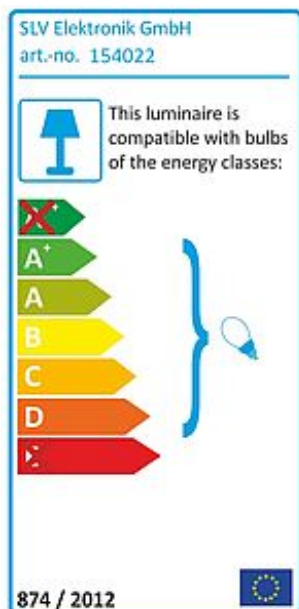
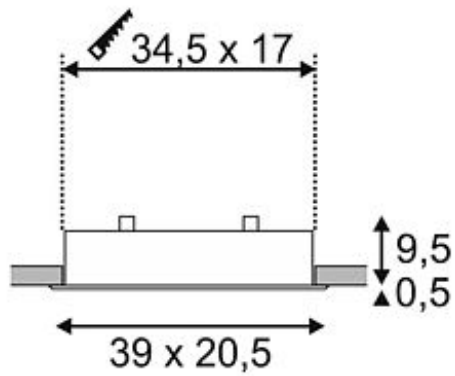


AIXLIGHT MOD 2 QRB111 recessed luminaire

silvergrey max. 50W, adjustable



Article number	154022
Catalogue	BIG WHITE 2015, Page 444
Type of lamp	Conventional lamp
Lamp	QRB 111 12V max. 50W
Lampholder / Socket	G53
Number of light sources	2
Lamp included	No
Installation length	34.5 cm
Installation width	17 cm
Installation depth	9.5 cm
Length	39 cm
Width	20.5 cm
Net weight	1.611 kg
Gross weight	1.251 kg
Voltage	12 Volt
Max. wattage	100 Watt
Protection class	III
Material	steel / aluminium
Colour	silvergrey
Way of mounting	recessed ceiling mounting
Remark 1	The lamp head can be rotated and swivelled
Remark 2	Additionally an appropriate transformer is required
Remark 3	Energy labels in your language are available in the Service Area sub point Download
Suitable for lamps from EEC	D
Suitable for lamps up to EEC	A+
Light distribution type 1	direct
Light distribution type 3	rotationally symmetric



The low-voltage recessed wall and ceiling luminaire AIXLIGHT MOD is equipped with gimbal-mounted lampholders and designed for the use of low-voltage QRB111 halogen lamps. The inner side of housing made from aluminum and steel is painted black, providing a look of levitating lamp heads. The silvergrey frame visually completes the AIXLIGHT MOD. A suitable transformer providing 12V alternating current is required for operation. This luminaire is compatible with bulbs of the energy classes: D - A+