



## KALU TRACK

spot for 3-circuit high-voltage track, LED, 3000K, black, 24°, incl. 3-circuit adapter

Article number 153600

Product family Kalu LED

Feed-in capability No

Lamp included No

Tilt range 120 Degree

Rotation range 340 Degree

Length 20.5 cm

Width 11.5 cm

Height 17.5 cm

Net weight 0.675 kg

Gross weight 0.865 kg

Voltage 220-240V ~50/60Hz sec. 350mA

Protection class I

IP-rating IP 20

Beam angle 24 Degree

Average lifespan 40000 Hours

Colour temperature 3000 Kelvin

Colour rendering index 80

Luminous flux 1000 lm

Energy efficiency class A++

Way of mounting Surface mounted / Ceiling track / Wall track

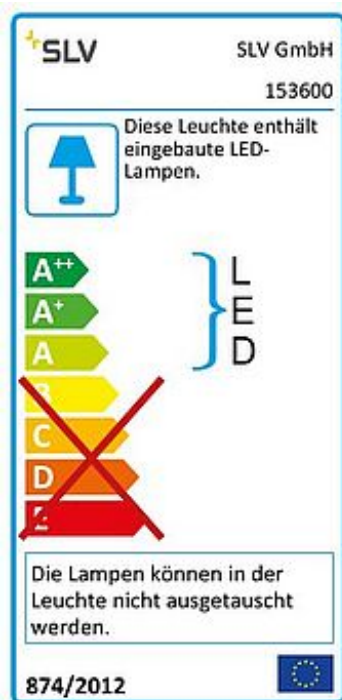
Colour black

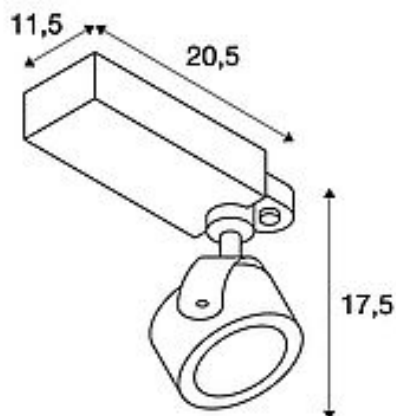
Form round

Light distribution type 1 direct

Light distribution type 2 rotational symmetric

Material Aluminium/plastic PC





#### Articles of this series

143460	KALU TRACK, spot for 240V 1-phase track, QR111, matt black, max. 50W, incl. 1-phase adapter
143461	KALU TRACK, spot for 240V 1-phase track, QR111, white, max. 50W, incl. 1-phase adapter
143464	KALU TRACK, spot for 240V 1-phase track, QR111, silver-grey, max. 50W, incl. 1-phase adapter
143491	KALU TRACK, spot for 240V 1-phase track, TCR-TSE, white, max. 9W, incl. 1-phase adapter
143540	KALU TRACK, spot for 240V 1-phase track, QPAR111, matt black, incl. 1-phase adapter
143541	KALU TRACK, spot for 240V 1-phase track, QPAR111, white, incl. 1-phase adapter
143544	KALU TRACK, spot for 240V 1-phase track, QPAR111, silver-grey, incl. 1-phase adapter
143731	KALU TRACK, spot for 240V 1-phase track, LED, 3000K, white, incl. 1-phase adapter
143734	KALU TRACK, spot for 240V 1-phase track, LED, 3000K, silver-grey, incl. 1-phase adapter
147600	KALU wall and ceiling light, single-headed, LED, 3000K, matt black, max. 10W
147601	KALU wall and ceiling light, single-headed, LED, 3000K, white/black, 10W
147610	KALU wall and ceiling light, double-headed, LED, 3000K, matt black, 20W
147611	KALU wall and ceiling light, double-headed, LED, 3000K, white/black, 20W
147620	KALU wall and ceiling light, triple-headed, LED, 3000K, matt black, 30W
147621	KALU wall and ceiling light, triple-headed, LED, 3000K, white/black, 30W
147630	KALU wall and ceiling light, four-headed, LED, 3000K, matt black, 40W, rectangular canopy
147631	KALU wall and ceiling light, four-headed, LED, 3000K, white/black, 40W, rectangular canopy
147640	KALU wall and ceiling light, four-headed, LED, 3000K, matt black, 40W, square canopy

147641	KALU wall and ceiling light, four-headed, LED, 3000K, white/black, 40W, square canopy
147650	KALU wall and ceiling light, four-headed, LED, 3000K, matt black, 40W, rectangular canopy extra long
147651	KALU, wall and ceiling light, four-headed, LED, 3000K, white/black, 40W, rectangular canopy extra long
147660	KALU FLOOR 1 floor stand, single-headed, LED, 3000K, matt black, max.10W
147661	KALU FLOOR 1 floor stand, single-headed, LED, 3000K, white / black, 10W
147670	KALU FLOOR 2 floor stand, double-headed, LED, 3000K, matt black, 20W
147671	KALU FLOOR 2 floor stand, double-headed, LED, 3000K, white / black, 20W
152600	KALU TRACK, spot for 240V 3-phase track, LED, 3000K, round, black, incl. 3-phase adapter
152601	KALU TRACK, spot for 240V 3-phase track, LED, 3000K, round, white, incl. 3-phase adapter
152604	KALU TRACK, spot for 240V 3-phase track, LED, 3000K, round, silver-grey, incl. 3-phase adapter
152610	KALU TRACK, spot for 240V 3-phase track, QPAR111, black, max. 75 W, incl. 3-phase adapter
152611	KALU TRACK, spot for 240V 3-phase track, QPAR111, white, max. 75 W, incl. 3-phase adapter
152614	KALU TRACK, spot for 240V 3-phase track, QPAR111, silver-grey, max. 75 W, incl. 3-phase adapter
153580	KALU TRACK, spot for 240V 3-phase track, QR111, black, max. 50W, incl. 3-phase adapter
153581	KALU TRACK, spot for 240V 3-phase track, QR111, white, max. 50W, incl. 3-phase adapter
153584	KALU TRACK, spot for 240V 3-phase track, QR111, silver-grey, max. 50W, incl. 3-phase adapter
153590	KALU TRACK, spot for 240V 3-phase track, TCR-TSE, black, max. 9W, incl. 3-phase adapter
153594	KALU TRACK, spot for 240V 3-phase track, TCR-TSE, silver-grey, max. 9W, incl. 3-phase adapter
1000110	KALU, wall and ceiling light, single-headed, LED, 3000K, black, 24°

1000112	KALU, wall and ceiling light, single-headed, LED, 3000K, white/black, 24°
1000113	KALU, wall and ceiling light, double-headed, LED, 3000K, black, 24°
1000114	KALU, wall and ceiling light, double-headed, LED, 3000K, white/black, 24°
1000115	KALU, wall and ceiling light, three-headed, LED, 3000K, black, 24°
1000116	KALU, wall and ceiling light, three-headed, LED, 3000K, white/black, 24°
1000117	KALU, wall and ceiling light, four-headed, LED, 3000K, black, 24°
1000118	KALU, wall and ceiling light, four-headed, LED, 3000K, white/black, 24°
1000119	KALU, wall and ceiling light, four-headed, LED, 3000K, square, black, 24°
1000120	KALU, wall and ceiling light, four-headed, LED, 3000K, square, white/black, 24°
1000121	KALU, wall and ceiling light, four-headed, LED, 3000K, black, 88cm, 24°
1000122	KALU, wall and ceiling light, four-headed, LED, 3000K, white/black, 88cm, 24°
1000123	KALU, floor stand, single-headed, LED, 3000K, black, 24°
1000124	KALU, floor stand, single-headed, LED, 3000K, white/black, 24°
1000125	KALU, floor stand, double-headed, LED, 3000K, black, 24°
1000126	KALU, floor stand, double-headed, LED, 3000K, white/black, 24°
1000127	KALU, wall and ceiling light, single-headed, LED, 3000K, black, 60°
1000128	KALU, wall and ceiling light, single-headed, LED, 3000K, white/black, 60°
1000129	KALU, wall and ceiling light, double-headed, LED, 3000K, black, 60°
1000130	KALU, wall and ceiling light, double-headed, LED, 3000K, white/black, 60°
1000131	KALU, wall and ceiling light, three-headed, LED, 3000K, black, 60°

1000132	KALU, wall and ceiling light, three-headed, LED, 3000K, white/black, 60°
1000133	KALU, wall and ceiling light, four-headed, LED, 3000K, black, 60°
1000134	KALU, wall and ceiling light, four-headed, LED, 3000K, white/black, 60°
1000135	KALU, wall and ceiling light, four-headed, LED, 3000K, square, black, 60°
1000136	KALU, wall and ceiling light, four-headed, LED, 3000K, square, white/black, 60°
1000137	KALU, wall and ceiling light, four-headed, LED, 3000K, black, 88cm, 60°
1000138	KALU, wall and ceiling light, four-headed, LED, 3000K, white/black, 88cm, 60°
1000139	KALU, floor stand, single-headed, LED, 3000K, black, 60°
1000140	KALU, floor stand, single-headed, LED, 3000K, white/black, 60°
1000141	KALU, floor stand, double-headed, LED, 3000K, black, 60°
1000142	KALU, floor stand, double-headed, LED, 3000K, white/black, 60°
153601	KALU TRACK, spot for 3-circuit high-voltage track, LED, 3000K, white/black, 24°, incl. 3-circuit adapter

Adjustable spot KALU with suitable adapter for the 240V 1-circuit track system. Conceived as an extension to the popular KALU series, this track spot takes on the shape of the product family. High light output and low electricity consumption are guaranteed by the dimmable premium module. In order to meet more lighting requirements, versions with a 1-circuit system adapter are alternatively available. This luminaire contains built-in LED lamps. EEL: A - A++. The lamps in the luminaire cannot be replaced.

## Notes

---



---



---