



## HELIA 50

spot for 3-circuit high-voltage track, LED, 3000K, black, 35°, incl. 3-circuit adapter

Article number 152960

Feed-in capability No

Lamp included No

Tilt range 90 Degree

Rotation range 350 Degree

Length 14 cm

Height 15 cm

Diameter 5.5 cm

Net weight 0.37 kg

Gross weight 0.507 kg

Voltage 220-240V ~50/60Hz sec. 500mA

Protection class I

Beam angle 35 Degree

Average lifespan 30000 Hours

Colour temperature 3000 Kelvin

Colour rendering index 90

Luminous flux 750 lm

Energy efficiency class A++

Way of mounting Surface mounted / Ceiling track / Wall track

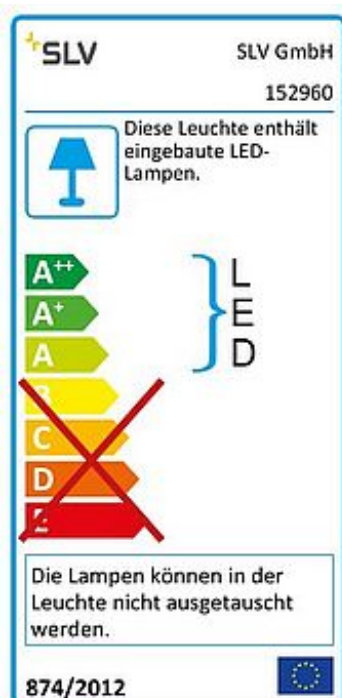
Colour black

Form round

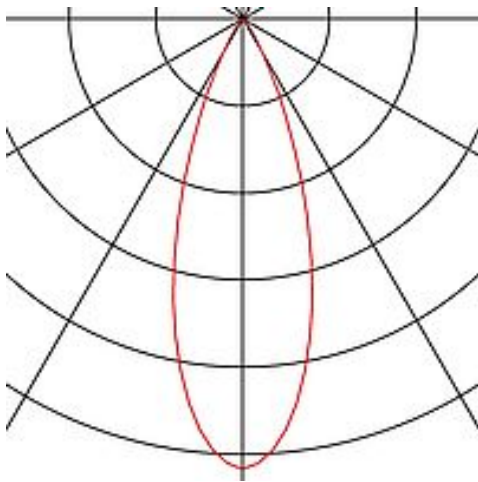
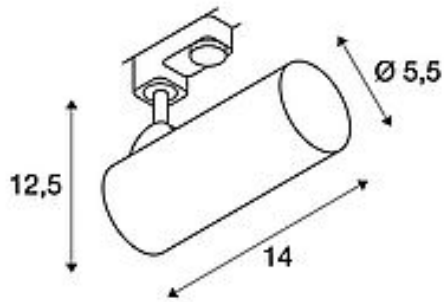
Light distribution type 1 direct

Light distribution type 2 rotational symmetric

Material Aluminium



Adjustable LED spot HELIA 60 with suitable adapter for the 240V 3-circuit track system. The luminaire impresses with its slim design and is therefore ideal for modern lighting concepts. The luminaire is made from aluminium and equipped with a Premium LED module.



Notes

---

---

---