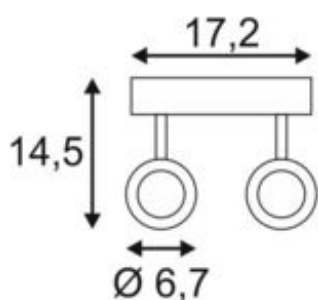


ENOLA_B

wall and ceiling light, spot, double-headed, QPAR51, white, max. 100W



Article number	152021
Product family	Enola_B
Feed-in capability	No
LBS code	QPAR51
Lamp	QPAR51
Lampholder / Socket	GU10
Number of light sources	2
Lamp included	No
Tilt range	100 Degree
Rotation range	350 Degree
Length	12 cm
Height	14.5 cm
Diameter	6.7 cm
Net weight	0.955 kg
Gross weight	1.156 kg
Voltage	230 ~50 Volts
Max. wattage	50 Watt
Protection class	I
Material	Aluminium/steel
Colour	white
Way of mounting	Surface wall / Surface ceiling mounting
Energy efficiency class	A++
fastCalcEnabled	No
ranking	300
Catalogue page	BIG WHITE 2017: 280
Light distribution type 1	Direct

The puristic ENOLA B wall and ceiling light features an aluminium and steel construction that is available with a black, white, brass, or silver grey housing. The lamp head can also be rotated and swivelled. With its built-in GU10 high volt holder, the double-headed ENOLA B is ready for direct connection to 230V mains supply.