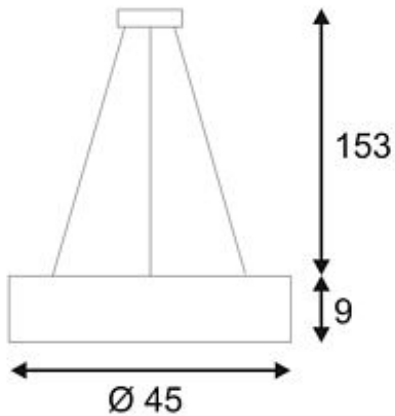


ISTU pendant luminaire

round, alu-brushed, satined glass, 2x T8 ring tube

Article number	149375
Catalogue	BIG WHITE 2015, Page 115
Type of lamp	Conventional lamp
Lamp	T8 ring tube bulb 32W & T8 ring tube bulb 40W
Lampholder / Socket	G10q
Number of light sources	1
Lamp included	No
Height	9 cm
Diameter	45 cm
Pendant length	150 cm
Net weight	4.166 kg
Gross weight	1.225 kg
Voltage	230 Volt
Max. wattage	72 Watt
Protection class	I
Material	aluminium / glass
Colour	aluminium brushed
Way of mounting	ceiling mounting pendulum
Remark 1	Conventional ballast incorporated
Remark 2	The tubes can be switched individually
Remark 3	Canopy included (Ø / H): 10 / 3 cm
Remark 4	Energy labels in your language are available in the Service Area sub point Download
Energy class ballast	B2
Suitable for lamps from EEC	A
Suitable for lamps up to EEC	A
Light distribution type 1	direct
Light distribution type 3	rotationally symmetric



The high quality pendant luminaire ISTU convinces by clear lines and elegant contrast of aluminum and glass parts. Two individually switchable T8 ring tubes provide the necessary lighting intensity, while the already incorporated electronic ballast allows direct connection to 230V mains supply. This luminaire is compatible with bulbs of the energy classes: A - A