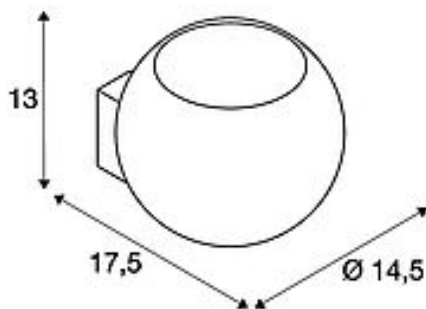
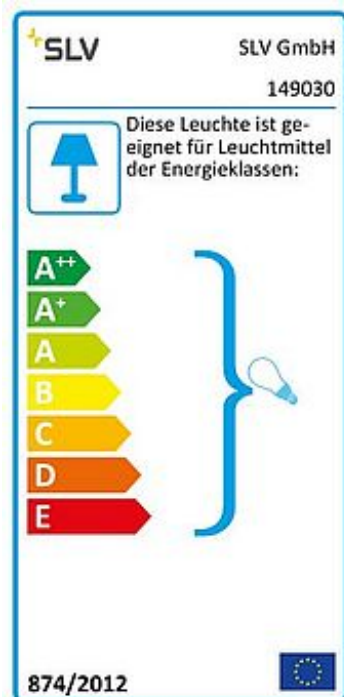


## LIGHT EYE BALL 150

wall light, QPAR111, black/chrome, max. 75W



Article number 149030

Feed-in capability No

Lampholder / Socket GU10

Number of light sources 1

Lamp included No

Height 13 cm

Depth 17.5 cm

Diameter 14.5 cm

Net weight 0.56 kg

Gross weight 0.797 kg

Voltage 230V ~50Hz

Max. wattage 75 Watt

Protection class I

IP-rating IP 20

Energy efficiency class A++

Way of mounting Surface mounted / Wall mounted

Lamp QPAR111

Colour black/chrome

Form spherical

Light distribution type 1 direct

Material Metal

The popular design of LIGHT EYE framed into a chromium-plated and compact wall lamp. Designed for high-voltage halogen lamps typed ES111, LIGHT EYE BALL is ready for direct connection to 230V mains supply. This luminaire is compatible with bulbs of the energy classes: E - A++

### Notes

