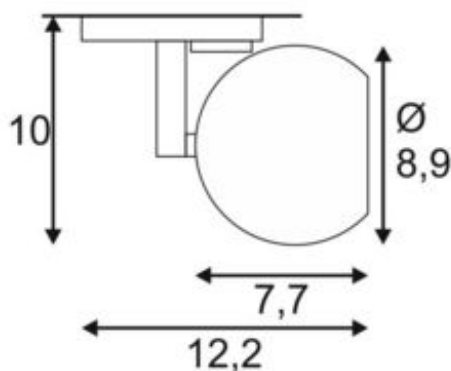


LIGHT EYE spot for 240V 1-phase track

QPAR51, brass, max. 50W, incl. 1-phase adapter, black



Article number	144013
Light distribution type 1	Direct
Product family	Light Eye 90
Feed-in capability	No
LBS code	QPAR51
Lamp	QPAR51
Lampholder / Socket	GU10
Number of light sources	1
Lamp included	No
Tilt range	90 Degree
Rotation range	350 Degree
Length	12.2 cm
Height	10 cm
Diameter	8.9 cm
Net weight	0.195 kg
Gross weight	0.258 kg
Voltage	230 ~50/60 Volts
Max. wattage	50 Watt
Protection class	II
Material	steel
Colour	Brass
Way of mounting	Track mounting
Energy efficiency class	A++
fastCalcEnabled	No
ranking	500
Catalogue page	BIG WHITE 2017: 368

The LIGHT EYE high-voltage spot is available in the latest trendy colours, and is equipped with an adapter for the 240V 1-phase track system. The round shaped luminaire is made of steel and, thanks to the GU10 socket, is suitable for both halogen and LED lamps. The turning and pivoting lamp head can be enhanced with a black, white, or chrome decorative ring.