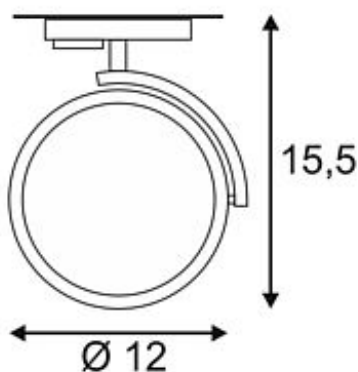
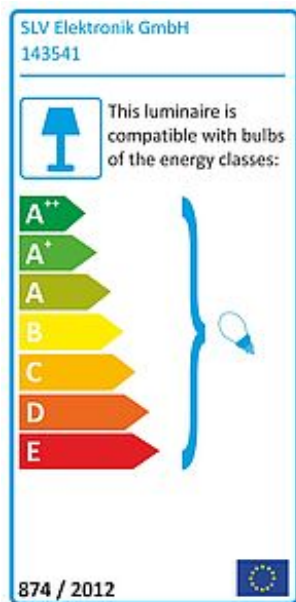


## KALU TRACK QPAR111 lamp head

white, incl. 1-circuit adaptor



|                              |   |
|------------------------------|---|
| Article number               | 143541  |
| Catalogue                    | BIG WHITE 2015, Page 351  |
| Type of lamp                 | Conventional lamp   |
| Lamp                         | ES111 230V max. 75W   |
| Lampholder / Socket          | GU10  |
| Number of light sources      | 1   |
| Lamp included                | No  |
| Tilt range                   | 90 Degree   |
| Rotation range               | 350 Degree  |
| Height                       | 15.5 cm   |
| Diameter                     | 12 cm   |
| Net weight                   | 0.256 kg  |
| Gross weight                 | 1.201 kg  |
| Voltage                      | 230 Volt  |
| Max. wattage                 | 75 Watt   |
| Protection class             | II  |
| Material                     | aluminium / plastic   |
| Colour                       | white   |
| Way of mounting              | track system mounting   |
| Remark 1                     | Energy labels in your language are available in the Service Area sub point Download |
| Suitable for lamps from EEC  | E   |
| Suitable for lamps up to EEC | A++   |
| Light distribution type 1    | direct  |
| Light distribution type 3    | rotationally symmetric  |

Adjustable spotlight KALU TRACK QPAR111 with suitable adaptor for the 1-circuit track system. Designed as an extension of the popular KALU series this track spot takes on the shape of the product family. Thanks to the incorporated GU10 lamp holder, either ES111 LED or halogen lamps are suitable. To meet all lighting requirements we alternatively offer versions with GX53 lamp holders, and such with incorporated Philips LED modules for the 1 and 3-circuit track system. This luminaire is compatible with bulbs of the energy classes: E - A++