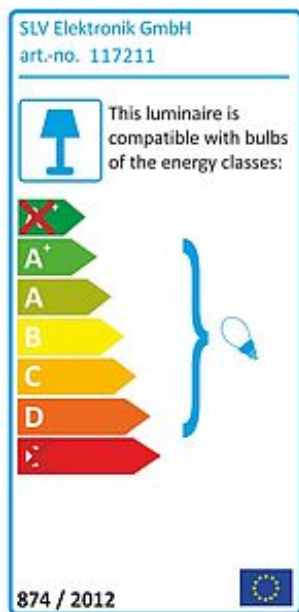
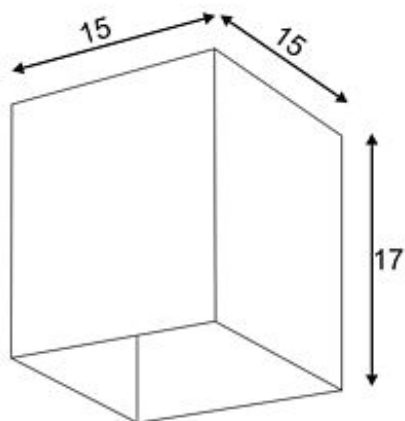


## ACRYLBOX SINGLE QRB111

ceiling luminaire, square, black/translucent, max. 75W

Article number	117211
Catalogue	BIG WHITE 2015, Page 257
Type of lamp	Conventional lamp
Lamp	QRB 111 12V max. 75W
Lampholder / Socket	G53
Number of light sources	1
Lamp included	No
Tilt range	90 Degree
Rotation range	350 Degree
Length	15 cm
Width	15 cm
Height	17 cm
Net weight	0.872 kg
Gross weight	3.341 kg
Voltage	230 Volt
Max. wattage	75 Watt
Protection class	I
Material	plastic
Colour	black / translucent
Way of mounting	surface ceiling mounting
Remark 1	Including a built-in electronic transformer
Remark 2	Dimmable by phase trailing edge dimmer
Remark 3	Energy labels in your language are available in the Service Area sub point Download
Suitable for lamps from EEC	D
Suitable for lamps up to EEC	A+
Light distribution type 1	direct
Light distribution type 3	rotationally symmetric





The low-voltage QRB version of our ACRYLBOX ceiling luminaire is made from acrylic glass and thus appears in an elegant, black-translucent look. The lampholder is adjustable allowing the individual orientation of light. Thanks to the already incorporated transformer, the ACRYLBOX is supplied ready for direct connection to 230V mains supply. This luminaire is compatible with bulbs of the energy classes: D - A+