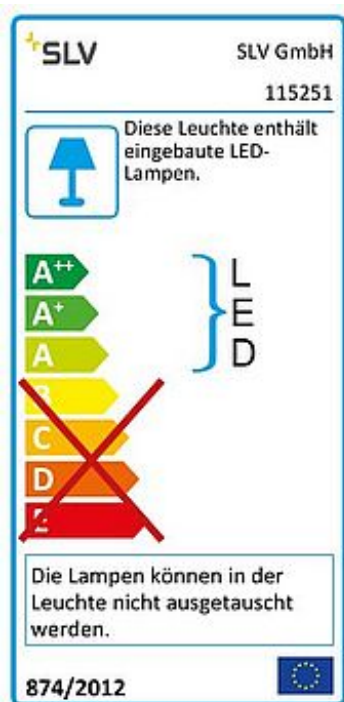


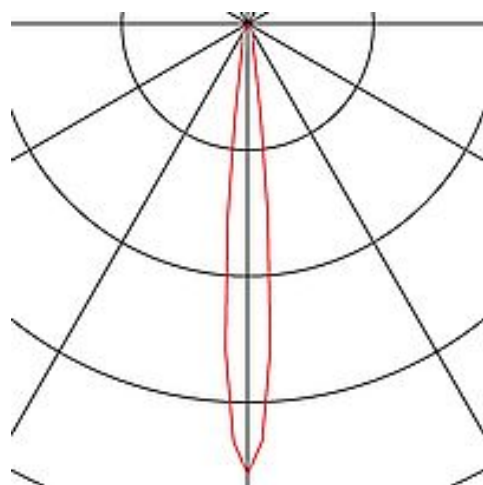
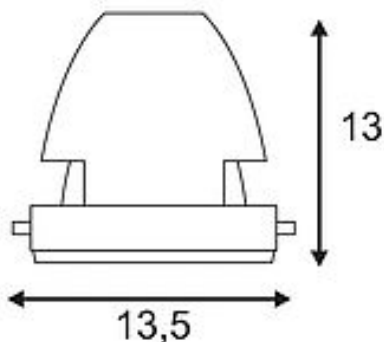


COB LED MODULE

for AIXLIGHT PRO installation frame, silver-grey, 12°, CRI90+

Article number	115251
Feed-in capability	No
Lamp included	No
Height	13 cm
Diameter	13.5 cm
Net weight	0.516 kg
Gross weight	0.633 kg
Voltage	700mA
Protection class	III
Beam angle	12 Degree
Average lifespan	30000 Hours
Colour temperature	3200 Kelvin
Colour rendering index	90
Luminous flux	1650 lm
Energy efficiency class	A++
Way of mounting	Recessed mounted / Ceiling recessed with accessories
Colour	Silver-grey/black
Form	round
Light distribution type 1	direct
Light distribution type 2	rotational symmetric
Material	Aluminium/glass





Articles of this series

115024	ES111 BRITESPOT MODULE, for AIXLIGHT PRO installation frame, HIPAR111, silver-grey/black, max. 70W
115001	QR111 MODULE, for AIXLIGHT PRO installation frame, QR111, matt white, max. 75W
115004	QR111 MODULE, for AIXLIGHT PRO installation frame, QR111, silver-grey/black, max. 75W
115011	QPAR111 MODULE, for AIXLIGHT PRO installation frame, QPAR111, white, max. 75W
115014	QPAR111 MODULE, for AIXLIGHT PRO installation frame, QPAR111, silver-grey/black, max. 75W
115041	G12 MODULE, for AIXLIGHT PRO installation frame, HIT-CE, white/black, 24°, max. 70W
115044	G12 MODULE, for AIXLIGHT PRO installation frame, HIT-CE, silver-grey / black, 24°, max. 70W
115051	G12 MODULE, for AIXLIGHT PRO installation frame, HIT-CE, white/black, 58°, max. 70W
115054	G12 MODULE, for AIXLIGHT PRO installation frame, HIT, silver-grey / black, 58°, max. 70W
115064	G12 MODULE, for AIXLIGHT PRO installation frame, HIT, silver-grey / black, 8°, max. 70W
115071	QR111 MODULE MOVE for AIXLIGHT PRO installation frame, QR-LP111, matt white, max. 75W
115074	QR111 MODULE MOVE for AIXLIGHT PRO installation frame, QR-LP111, silver-grey / black, max. 75W
115094	ENERGYSAVER MODULE, for AIXLIGHT PRO, TC-TSE, silver-grey / black, max. 21W
115181	COB LED-MODULE, for AIXLIGHT PRO installation frame, 3000K, white, 12°
115183	COB LED-MODULE, for AIXLIGHT PRO installation frame, 3000K, white, 30°
115187	COB LED-MODULE, for AIXLIGHT PRO installation frame, 3000K, white, 70°
115191	COB LED MODULE, for AIXLIGHT PRO installation frame, 3000K, silver-grey, 12°
115193	COB LED MODULE, for AIXLIGHT PRO installation frame, 3000K, silver-grey, 30°

115197	COB LED MODULE, for AIXLIGHT PRO installation frame, 3000K, silver-grey, 70°
115451	LED DISK MODULE, for AIXLIGHT PRO installation frame, 2700K, matt white, 50°
115454	LED DISK MODULE, for AIXLIGHT PRO installation frame, 2700K, silver-grey/black, 50°
115461	LED DISK MODULE, for AIXLIGHT PRO installation frame, 4000K, matt white, 50°
115464	LED DISK MODULE, for AIXLIGHT PRO installation frame, 4000K, silver-grey/black, 50°
115201	COB LED MODULE, for AIXLIGHT PRO installation frame, matt white, 12°, CRI90+
115203	COB LED MODULE, for AIXLIGHT PRO installation frame, matt white, 30°, CRI90+
115207	COB LED MODULE, for AIXLIGHT PRO installation frame, matt white, 70°, CRI90+
115211	COB LED MODULE, for AIXLIGHT PRO installation frame, matt white, 12°, CRI65+
115213	COB LED MODULE, for AIXLIGHT PRO installation frame, matt white, 30°, CRI65+
115217	COB LED MODULE, for AIXLIGHT PRO installation frame, matt white, 70°, CRI65+
115221	COB LED MODULE, for AIXLIGHT PRO installation frame, matt white, 12°, CRI90+
115223	COB LED MODULE, for AIXLIGHT PRO installation frame, matt white, 30°, CRI90+
115227	COB LED MODULE, for AIXLIGHT PRO installation frame, matt white, 70°, CRI90+
115231	COB LED MODULE, for AIXLIGHT PRO installation frame, silver-grey, 12°, CRI90+
115233	COB LED MODULE, for AIXLIGHT PRO installation frame, silver-grey, 30°, CRI90+
115237	COB LED MODULE, for AIXLIGHT PRO installation frame, silver-grey, 70°, CRI90+
115241	COB LED MODULE, for AIXLIGHT PRO installation frame, silver-grey, 12°, CRI65+
115243	COB LED MODULE, for AIXLIGHT PRO installation frame, silver-grey, 30°, CRI65+

115247 COB LED MODULE, for AIXLIGHT PRO installation frame, silver-grey, 70°, CRI65+

115253 COB LED MODULE, for AIXLIGHT PRO installation frame, silver-grey, 30°, CRI90+

115257 COB LED MODULE, for AIXLIGHT PRO installation frame, silver-grey, 70°, CRI90+

The COB LED Module was developed for use in AIXLIGHT PRO installation frames. This special product is suitable for lighting up baked goods. The warm-white COB LED module comes in white or silver-grey and is available in various beam angles. A LED driver with a constant current of 700 mA is needed for use. Not suitable for flat installation frames.

Notes
