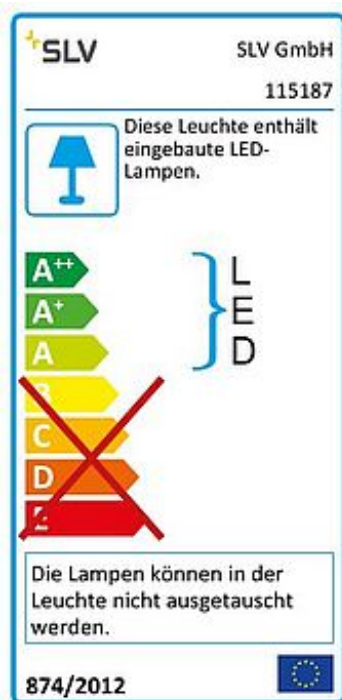
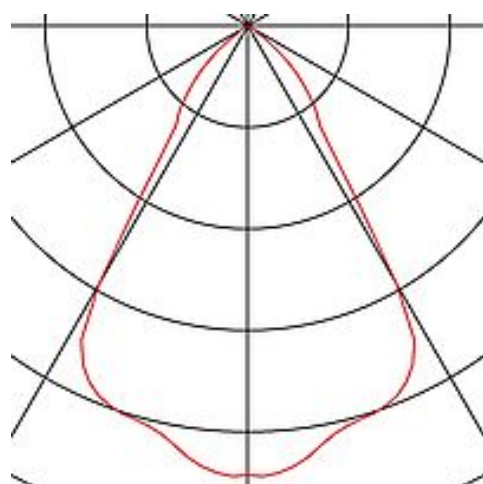
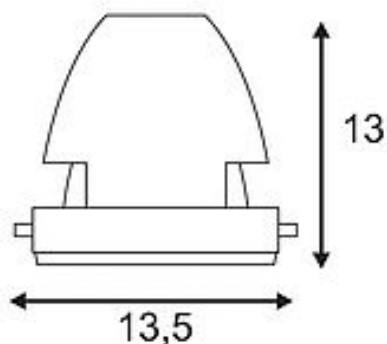


COB LED-MODULE

for AIXLIGHT PRO installation frame, 3000K, white, 70°



| | |
|---------------------------|--|
| Article number | 115187 |
| Feed-in capability | No |
| Lamp included | No |
| Height | 13 cm |
| Diameter | 13.5 cm |
| Net weight | 0.523 kg |
| Gross weight | 0.658 kg |
| Voltage | 700mA/1000mA/1050mA |
| Protection class | III |
| Beam angle | 70 Degree |
| Average lifespan | 30000 Hours |
| Colour temperature | 3000 Kelvin |
| Colour rendering index | 80 |
| Luminous flux | 3500 lm |
| Energy efficiency class | A++ |
| Way of mounting | Recessed mounted / Ceiling recessed with accessories |
| Colour | matt white |
| Light distribution type 1 | direct |
| Light distribution type 2 | rotational symmetric |
| Material | Aluminium/glass |



Articles of this series

| | |
|--------|--|
| 115181 | COB LED-MODULE, for AIXLIGHT PRO installation frame, 3000K, white, 12° |
| 115183 | COB LED-MODULE, for AIXLIGHT PRO installation frame, 3000K, white, 30° |
| 115191 | COB LED MODULE, for AIXLIGHT PRO installation frame, 3000K, silver-grey, 12° |
| 115193 | COB LED MODULE, for AIXLIGHT PRO installation frame, 3000K, silver-grey, 30° |
| 115197 | COB LED MODULE, for AIXLIGHT PRO installation frame, 3000K, silver-grey, 70° |
| 115024 | ES111 BRITESPOT MODULE, for AIXLIGHT PRO installation frame, HIPAR111, silver-grey/black, max. 70W |
| 115094 | ENERGYSAVER MODULE, for AIXLIGHT PRO, TC-TSE, silver-grey / black, max. 21W |
| 115041 | G12 MODULE, for AIXLIGHT PRO installation frame, HIT-CE, white/black, 24°, max. 70W |
| 115051 | G12 MODULE, for AIXLIGHT PRO installation frame, HIT-CE, white/black, 58°, max. 70W |
| 115001 | QR111 MODULE, for AIXLIGHT PRO installation frame, QR111, matt white, max. 75W |
| 115004 | QR111 MODULE, for AIXLIGHT PRO installation frame, QR111, silver-grey/black, max. 75W |
| 115011 | QPAR111 MODULE, for AIXLIGHT PRO installation frame, QPAR111, white, max. 75W |
| 115014 | QPAR111 MODULE, for AIXLIGHT PRO installation frame, QPAR111, silver-grey/black, max. 75W |
| 115201 | COB LED MODULE, for AIXLIGHT PRO installation frame, matt white, 12°, CRI90+ |
| 115203 | COB LED MODULE, for AIXLIGHT PRO installation frame, matt white, 30°, CRI90+ |
| 115207 | COB LED MODULE, for AIXLIGHT PRO installation frame, matt white, 70°, CRI90+ |
| 115211 | COB LED MODULE, for AIXLIGHT PRO installation frame, matt white, 12°, CRI65+ |
| 115213 | COB LED MODULE, for AIXLIGHT PRO installation frame, matt white, 30°, CRI65+ |

| | |
|--------|--|
| 115217 | COB LED MODULE, for AIXLIGHT PRO installation frame, matt white, 70°, CRI65+ |
| 115221 | COB LED MODULE, for AIXLIGHT PRO installation frame, matt white, 12°, CRI90+ |
| 115223 | COB LED MODULE, for AIXLIGHT PRO installation frame, matt white, 30°, CRI90+ |
| 115227 | COB LED MODULE, for AIXLIGHT PRO installation frame, matt white, 70°, CRI90+ |
| 115231 | COB LED MODULE, for AIXLIGHT PRO installation frame, silver-grey, 12°, CRI90+ |
| 115233 | COB LED MODULE, for AIXLIGHT PRO installation frame, silver-grey, 30°, CRI90+ |
| 115237 | COB LED MODULE, for AIXLIGHT PRO installation frame, silver-grey, 70°, CRI90+ |
| 115241 | COB LED MODULE, for AIXLIGHT PRO installation frame, silver-grey, 12°, CRI65+ |
| 115243 | COB LED MODULE, for AIXLIGHT PRO installation frame, silver-grey, 30°, CRI65+ |
| 115247 | COB LED MODULE, for AIXLIGHT PRO installation frame, silver-grey, 70°, CRI65+ |
| 115251 | COB LED MODULE, for AIXLIGHT PRO installation frame, silver-grey, 12°, CRI90+ |
| 115253 | COB LED MODULE, for AIXLIGHT PRO installation frame, silver-grey, 30°, CRI90+ |
| 115257 | COB LED MODULE, for AIXLIGHT PRO installation frame, silver-grey, 70°, CRI90+ |
| 115044 | G12 MODULE, for AIXLIGHT PRO installation frame, HIT-CE, silver-grey / black, 24°, max. 70W |
| 115054 | G12 MODULE, for AIXLIGHT PRO installation frame, HIT, silver-grey / black, 58°, max. 70W |
| 115064 | G12 MODULE, for AIXLIGHT PRO installation frame, HIT, silver-grey / black, 8°, max. 70W |
| 115071 | QR111 MODULE MOVE for AIXLIGHT PRO installation frame, QR-LP111, matt white, max. 75W |
| 115074 | QR111 MODULE MOVE for AIXLIGHT PRO installation frame, QR-LP111, silver-grey / black, max. 75W |
| 115454 | LED DISK MODULE, for AIXLIGHT PRO installation frame, 2700K, silver-grey/black, 50° |

115464 LED DISK MODULE, for AIXLIGHT PRO installation frame,
4000K, silver-grey/black, 50°

115451 LED DISK MODULE, for AIXLIGHT PRO installation frame,
2700K, matt white, 50°

115461 LED DISK MODULE, for AIXLIGHT PRO installation frame,
4000K, matt white, 50°

The COB LED Module was designed specifically for use in AIXLIGHT PRO installation frame. The warm white COB LED module is available in matt white or silver grey, and in various beam angles. Operation requires an LED driver with a constant current of 700mA, 1000mA, or 1050mA. Not suitable for flat installation frames.

Notes
