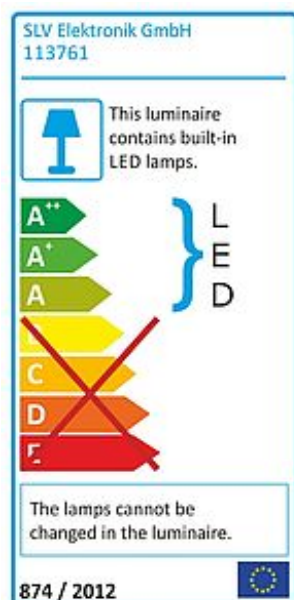
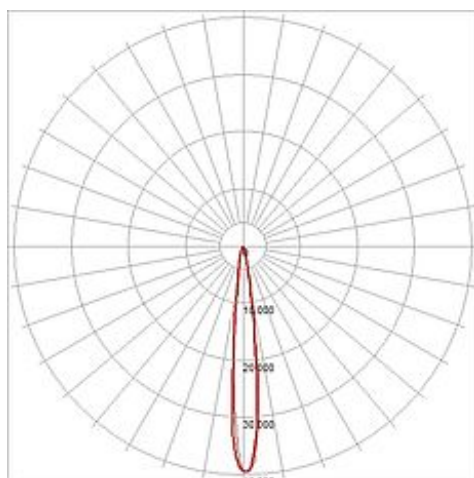
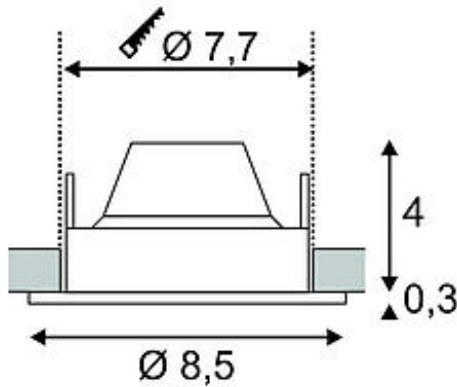


TRITON HORN 3 SET

downlight, round, matt white, 3x 1W LED, 3000K, 12°



Article number	113761
Catalogue	BIG WHITE 2015, Page 399
Type of lamp	LED lamp
Lamp	Power LED 1W
Number of light sources	3
Lamp included	Yes
Installation diameter	7.7 cm
Installation depth	4.5 cm
Height	4.3 cm
Diameter	8.5 cm
Net weight	0.213 kg
Gross weight	1.174 kg
Voltage	230 Volt
Max. wattage	5.1 Watt
Protection class	II
Beam angle	12 Degree
Material	steel / plastic
Colour	black / white
Way of mounting	recessed ceiling mounting
Remark 1	LED driver 350 mA included
Remark 2	Only suitable for ceilings with a maximum thickness of 20 mm
Remark 3	Energy labels in your language are available in the Service Area sub point Download
Average lifespan	30000 Hours
Colour temperature	3000 Kelvin
Colour rendering index	>80
Luminous flux	250 lm
Suitable for lamps from EEC	A
Suitable for lamps up to EEC	A++



Light distribution
type 1 direct

Light distribution
type 3 rotationally symmetric

The innovative TRITON HORN LED downlight set impresses by a special design of the recessed 3 or 4 Power LED in a white frame with black contrast colour and provides 1W or 3W depending on the version. An already incorporated constant current LED driver makes TRITON HORN LED ready for direct connection to 230V mains supply. Due to the different beam angles of either 12° or 30°, its warm white light colour and the adjustability allows various kinds of applications. This luminaire contains built-in LED lamps. EEK: A - A++. The lamps cannot be changed in the luminaire.