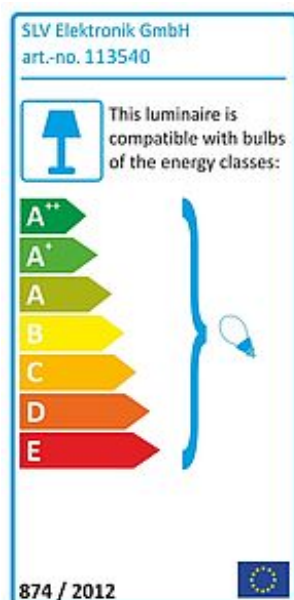
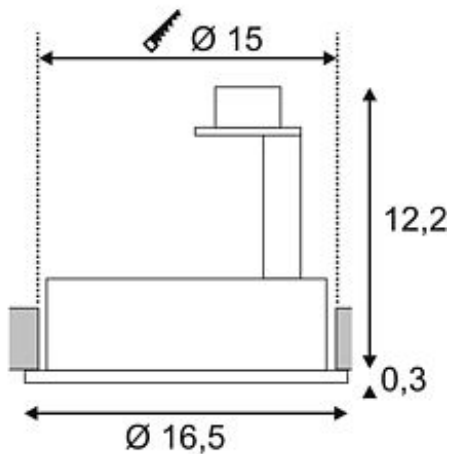


NEW TRIA ES111 downlight

round, matt white, max. 75W



| | |
|------------------------------|---|
| Article number | 113540 |
| Catalogue | BIG WHITE 2015, Page 412 |
| Type of lamp | Conventional lamp |
| Lamp | ES111 230V max. 75W |
| Lampholder / Socket | GU10 |
| Number of light sources | 1 |
| Lamp included | No |
| Installation diameter | 15 cm |
| Installation depth | 12.5 cm |
| Tilt range | 30 Degree |
| Rotation range | 360 Degree |
| Diameter | 16.5 cm |
| Net weight | 0.371 kg |
| Gross weight | 0.422 kg |
| Voltage | 230 Volt |
| Max. wattage | 75 Watt |
| Protection class | I |
| Material | aluminium |
| Colour | white |
| Way of mounting | recessed ceiling mounting |
| Remark 1 | Energy labels in your language are available in the Service Area sub point Download |
| Suitable for lamps from EEC | E |
| Suitable for lamps up to EEC | A++ |
| Light distribution type 1 | direct |
| Light distribution type 3 | rotationally symmetric |



The round high-voltage ES111 version of our NEW TRIA downlight series is available in either matt white or brushed aluminum colour version. The generously chosen rotation and tilt range guarantees the individual orientation of light, whether you choose standard halogen or LED retrofit lamps. The NEW TRIA downlight is supplied ready for direct connection to 230V mains supply. This luminaire is compatible with bulbs of the energy classes: E - A++