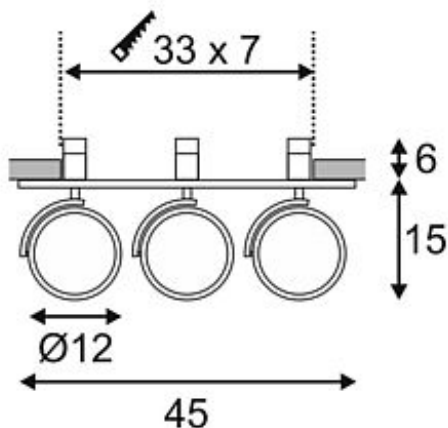
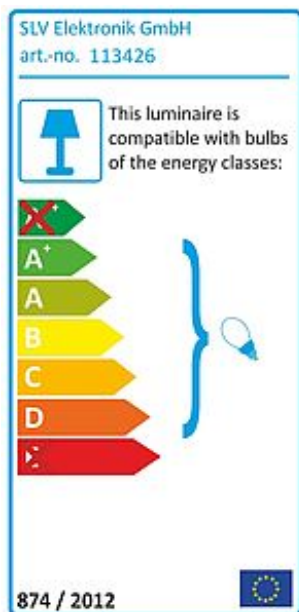


## KALU RECESSED 3 recessed luminaire

alu-brushed, 3x QRB111, max. 3x 50W



Article number	113426
Catalogue	BIG WHITE 2015, Page 429
Type of lamp	Conventional lamp
Lamp	QRB 111 12V max. 50W
Lampholder / Socket	G53
Number of light sources	3
Lamp included	No
Installation length	33 cm
Installation width	7 cm
Installation depth	6 cm
Tilt range	90 Degree
Rotation range	350 Degree
Length	45 cm
Width	9 cm
Height	15 cm
Net weight	0.98 kg
Gross weight	1.412 kg
Voltage	12 Volt
Max. wattage	150 Watt
Protection class	III
Material	aluminium
Colour	aluminium brushed
Way of mounting	recessed ceiling mounting
Remark 1	Only suitable for walls and ceilings with a maximum thickness of 25 mm
Remark 2	Energy labels in your language are available in the Service Area sub point Download
Suitable for lamps from EEC	D
Suitable for lamps up to EEC	A+
Light distribution type 1	direct

Light distribution      rotationally symmetric  
type 3

The puristic design of the recessed version of KALU is a guarantor for free alignment of the lamp heads which are suitable for either QRB-halogen or appropriate LED bulbs. KALU RECESSED is available with one, two or three spots. The electrical connection is made via a separately available low-voltage transformer providing 12V alternating current. This luminaire is compatible with bulbs of the energy classes: D - A+