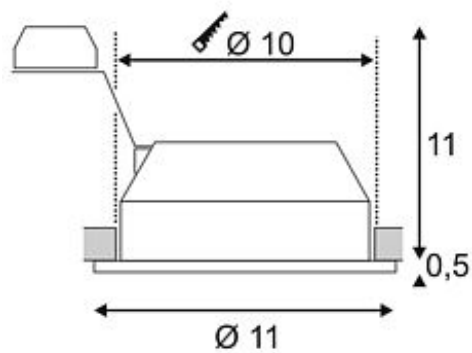


TWISTER GU6

5 downlight, round , chrome, max. 35W, adjustable

Article number	112962
Catalogue	BIG WHITE 2015, Page 426
Type of lamp	Conventional lamp
Lamp	CMH-T Super Mini 20 - 35W
Lampholder / Socket	GU6,5
Number of light sources	1
Lamp included	No
Installation diameter	10 cm
Installation depth	11 cm
Height	11.5 cm
Diameter	11 cm
Net weight	0.379 kg
Gross weight	1.029 kg
Max. wattage	35 Watt
Protection class	I
Material	aluminium / steel
Colour	chrome
Way of mounting	recessed ceiling mounting
Remark 1	A electronic ballast is necessary to operate the luminaire
Remark 2	Only suitable for suspended ceilings with a maximum thickness between 5 - 20 mm
Remark 3	Reflectors are separately available. Deco ring included
Remark 4	Energy labels in your language are available in the Service Area sub point Download
Suitable for lamps from EEC	A
Suitable for lamps up to EEC	A+
Light distribution type 1	direct
Light distribution type 3	rotationally symmetric



Our TWISTER downlight series is the individual recessed set for shops and exhibitions. The TWISTER GU6, 5 CMH module is available in white, silvergrey and chrome and can be used inside the different mounting and cover frames. The adjustable lamp head guarantees the individual orientation of light. A suitable ballast is required for operation. This luminaire is compatible with bulbs of the energy classes: A - A+