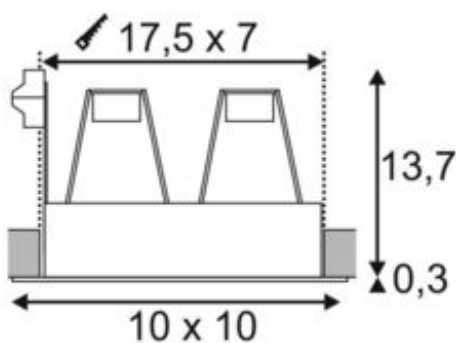
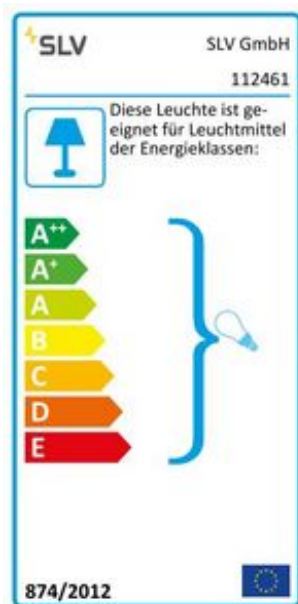


INDI REC

recessed fitting, double-headed, QR-C51, rectangular, matt white, tiltable max. 70W



Article number	112461
Installation depth	15 cm
Light distribution type 1	Direct
Feed-in capability	No
LBS code	QR-C51
Lamp	QR-C51
Lampholder / Socket	GU5.3
Number of light sources	2
Lamp included	No
Installation length	17.5 cm
Installation width	7 cm
Tilt range	70 Degree
Length	18 cm
Width	9 cm
Height	14 cm
Net weight	0.562 kg
Gross weight	0.643 kg
Voltage	12 Volts
Max. wattage	35 Watt
Protection class	III
Material	steel
Colour	matt white
Way of mounting	Recessed ceiling mounting
Energy efficiency class	A++
fastCalcEnabled	No
ranking	100

The double-headed low-voltage recessed fitting IADI REC is pivoted and was conceived for use with low voltage halogen lamps. The steel housing has a matt white exterior and black interior. To operate the recessed fitting, a matching transformer with 12V alternating current is required.