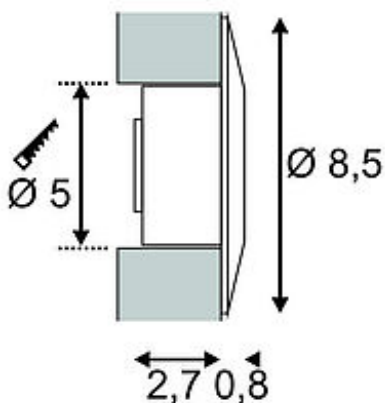
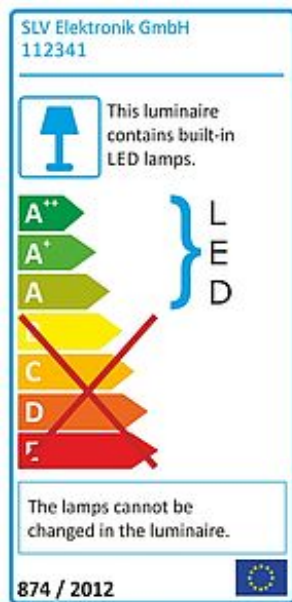


## AITES LED ROUND for junction boxes

white, 3000K



Article number	112341
Catalogue	BIG WHITE 2015, Page 477
Type of lamp	LED lamp
Lamp	Power LED 1W
Number of light sources	1
Lamp included	Yes
Installation diameter	5 cm
Installation depth	3 cm
Depth	3.5 cm
Diameter	8.5 cm
Net weight	0.122 kg
Gross weight	0.216 kg
Max. wattage	1 Watt
Protection class	III
Beam angle	120 Degree
Material	acrylic / aluminium
Colour	white
Way of mounting	recessed wall mounting
Remark 1	Suitable for mounting into installation boxes
Remark 2	30 cm connection lead included
Remark 3	Operate with suitable 350 mA drivers only
Remark 4	Energy labels in your language are available in the Service Area sub point Download
Colour temperature	3000 Kelvin
Colour rendering index	>80
Luminous flux	80 lm
Suitable for lamps from EEC	A
Suitable for lamps up to EEC	A++
Light distribution type 1	direct

By means of its special design and the low installation diameter, the aluminium and acrylic-made wall luminaire AITES LED ROUND is suitable for installation in wall boxes. The incorporated Power LED provides the necessary illumination intensity. Available with an either white or silver coloured cover it includes a suitable connection lead. A suitable constant current driver providing 350mA is required for operation. This luminaire contains built-in LED lamps. EEK: A - A++.  
The lamps cannot be changed in the luminaire.