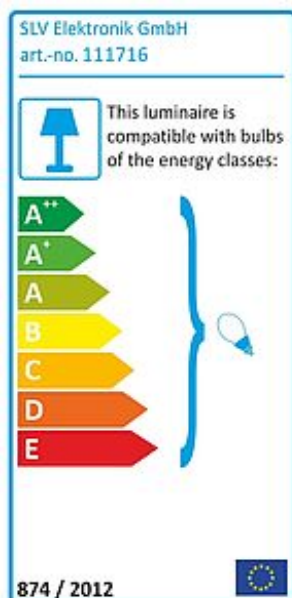
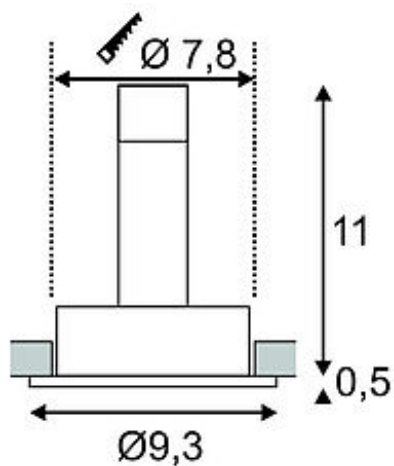


NEW TRIA GU10 ROUND downlight

alu-brushed, max. 50W, incl. metal-plate springs



Article number	111716
Catalogue	BIG WHITE 2015, Page 404
Type of lamp	Conventional lamp
Lamp	GU10 230V max. 50W
Lampholder / Socket	GU10
Number of light sources	1
Lamp included	No
Installation diameter	7.8 cm
Installation depth	13 cm
Tilt range	30 Degree
Rotation range	360 Degree
Height	11.5 cm
Diameter	9.3 cm
Net weight	0.168 kg
Gross weight	0.204 kg
Voltage	230 Volt
Max. wattage	50 Watt
Protection class	II
Material	aluminium
Colour	aluminium brushed
Way of mounting	recessed ceiling mounting
Remark 1	Energy labels in your language are available in the Service Area sub point Download
Suitable for lamps from EEC	E
Suitable for lamps up to EEC	A++
Light distribution type 1	direct
Light distribution type 3	rotationally symmetric



The round high-voltage version of our NEW TRIA downlight series is available in either matt white, matt black or brushed aluminium colour and features a generously chosen rotation and tilt range, which guarantees an individual orientation of the lamps in use. The mounting is simplified by incorporated metal-plate springs. The NEW TRIA downlight is supplied ready for direct connection to 230V mains supply. This luminaire is compatible with bulbs of the energy classes: E - A++