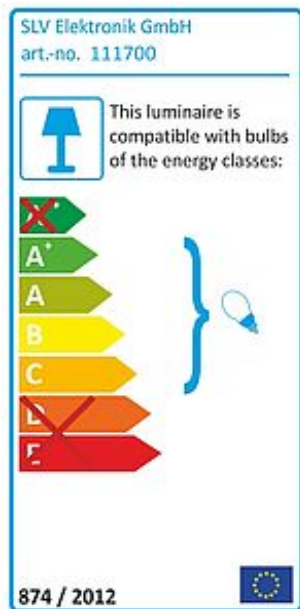
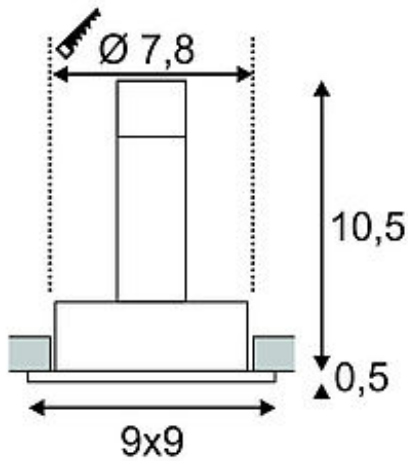


NEW TRIA I MR16 downlight

square, matt black, max. 50W, incl. metal-plate springs



Article number	111700
Catalogue	BIG WHITE 2015, Page 438
Type of lamp	Conventional lamp
Lamp	MR16 12V max. 50W
Lampholder / Socket	GX5,3
Number of light sources	1
Lamp included	No
Installation diameter	7.8 cm
Installation depth	10.5 cm
Tilt range	30 Degree
Rotation range	360 Degree
Length	9 cm
Width	9 cm
Height	11 cm
Net weight	0.169 kg
Gross weight	0.183 kg
Voltage	12 Volt
Max. wattage	50 Watt
Protection class	III
Material	aluminium
Colour	black
Way of mounting	recessed ceiling mounting
Remark 1	Only suitable for ceilings with a maximum thickness of 20 mm
Remark 2	Not suitable for the use of cool-beam lamps
Remark 3	Energy labels in your language are available in the Service Area sub point Download
Suitable for lamps from EEC	C
Suitable for lamps up to EEC	A+
Light distribution type 1	direct



Light distribution rotationally symmetric
type 3

The square low-voltage version of our NEW TRIA downlight series is available in either matt white, matt black or brushed aluminium colour and features a generously chosen rotation and tilt range, which guarantees an individual orientation of the lamps in use. The mounting is simplified by incorporated metal-plate springs. A suitable transformer providing 12V alternating current is required for operation. This luminaire is compatible with bulbs of the energy classes: C - A+