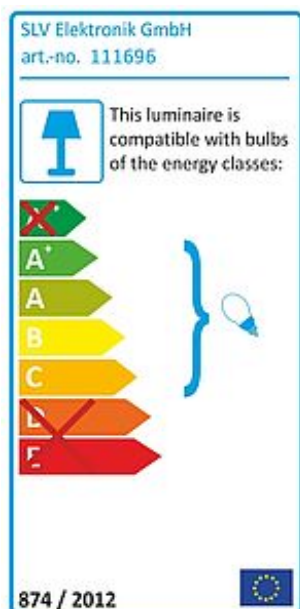
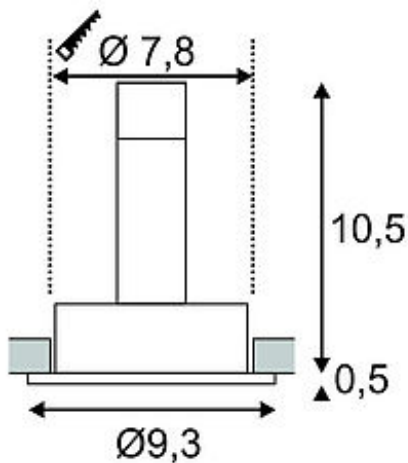


NEW TRIA MR16 ROUND downlight

alu-brushed, max. 50W, incl. metal-plate springs



| | |
|------------------------------|---|
| Article number | 111696 |
| Catalogue | BIG WHITE 2015, Page 405 |
| Type of lamp | Conventional lamp |
| Lamp | MR16 12V max. 50W |
| Lampholder / Socket | GX5,3 |
| Number of light sources | 1 |
| Lamp included | No |
| Installation diameter | 7.8 cm |
| Installation depth | 10.5 cm |
| Tilt range | 30 Degree |
| Rotation range | 360 Degree |
| Height | 11 cm |
| Diameter | 9.3 cm |
| Net weight | 0.151 kg |
| Gross weight | 0.185 kg |
| Voltage | 12 Volt |
| Max. wattage | 50 Watt |
| Protection class | III |
| Material | aluminium |
| Colour | aluminium brushed |
| Way of mounting | recessed ceiling mounting |
| Remark 1 | Only suitable for ceilings with a maximum thickness of 20 mm |
| Remark 2 | Not suitable for the use of cool-beam lamps |
| Remark 3 | Energy labels in your language are available in the Service Area sub point Download |
| Suitable for lamps from EEC | C |
| Suitable for lamps up to EEC | A+ |
| Light distribution type 1 | direct |
| Light distribution type 3 | rotationally symmetric |



The round low-voltage version of our NEW TRIA downlight series is available in either matt white, matt black or brushed aluminium colour and features a generously chosen rotation and tilt range, which guarantees an individual orientation of the lamps in use. The mounting is simplified by incorporated metal-plate springs. A suitable transformer providing 12V alternating current is required for operation. This luminaire is compatible with bulbs of the energy classes: C - A+