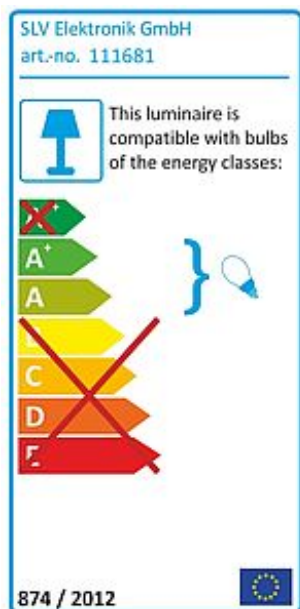
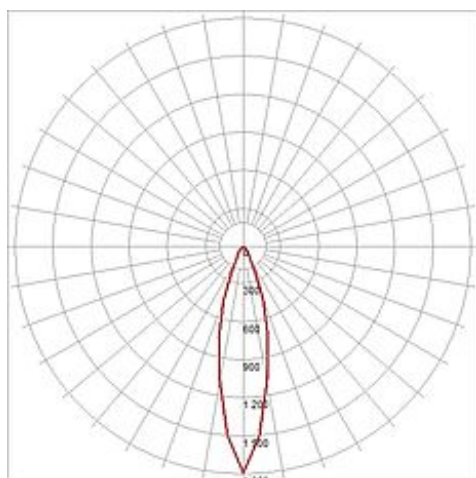
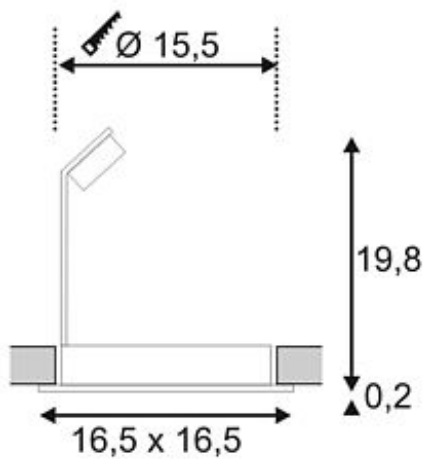


NEW TRIA

G12 downlight, square, alu-brushed, incl. 38° reflector, max. 70W



Article number	111681
Type of lamp	Conventional lamp
Lamp	HQI-T / CDM-T 35W / 70W
Lampholder / Socket	G12
Number of light sources	1
Lamp included	No
Installation diameter	15.5 cm
Installation depth	22 cm
Tilt range	30 Degree
Rotation range	360 Degree
Length	16.5 cm
Width	16.5 cm
Height	20 cm
Net weight	0.601 kg
Gross weight	0.685 kg
Max. wattage	70 Watt
Protection class	I
Beam angle	38 Degree
Material	aluminium
Colour	aluminium brushed
Way of mounting	recessed ceiling mounting
Remark 1	Only suitable for ceilings with a maximum thickness of 20 mm
Remark 2	Additionally you will need a ballast. Reflector 38° included
Remark 3	Energy labels in your language are available in the Service Area sub point Download
Suitable for lamps from EEC	A
Suitable for lamps up to EEC	A+
Light distribution type 1	direct



Light distribution
type 3

rotationally symmetric

The square G12 version of our NEW TRIA downlight series is available in either matt white or brushed aluminium colour and features a generously chosen rotation and tilt range, which guarantees an individual orientation of the lamps in use. For operation of NEW TRIA G12 downlight you only need a suitable ballast. This luminaire is compatible with bulbs of the energy classes: A - A+