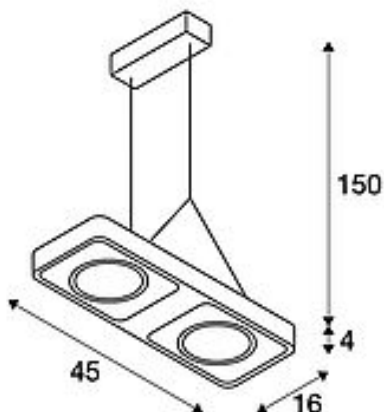
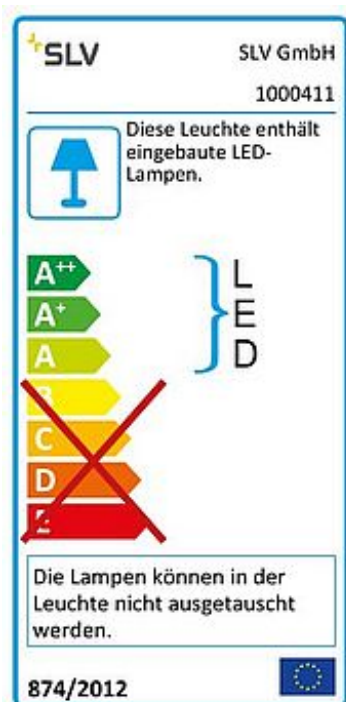


SLV LYNAH

pendant, double-headed, LED, 3000K, white



Article number	1000411
Feed-in capability	No
Lamp included	No
Tilt range	180 Degree
Length	45 cm
Width	16 cm
Height	5.9 cm
Pendant length	150 cm
Net weight	2.565 kg
Gross weight	2.922 kg
Voltage	220-240V ~50/60Hz sec. 350mA
Protection class	I
Beam angle	24 Degree
Average lifespan	40000 Hours
Colour temperature	3000 Kelvin
Colour rendering index	80
Luminous flux	1900 lm
Energy efficiency class	A++
Way of mounting	Surface mounted / Ceiling mounted
Colour	white
Form	square
Light distribution type 1	direct
Light distribution type 2	rotational symmetric
Material	Aluminium/plastic PC

With its timeless and modern design in black and white and its efficiency, the LYNAH luminaire series is an innovative lighting option for any area. The lamp holders are multi-directional, thus allowing the individual focus of the light beam. The luminaire is equipped with dimmable LED modules with a beam angle of 24° each, and is ready for direct connection to 230V power supply.

Notes
