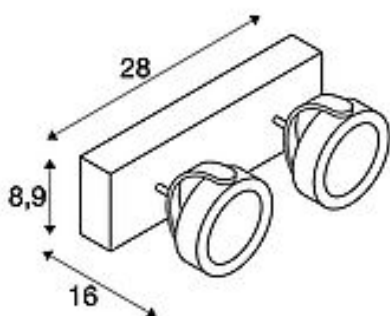
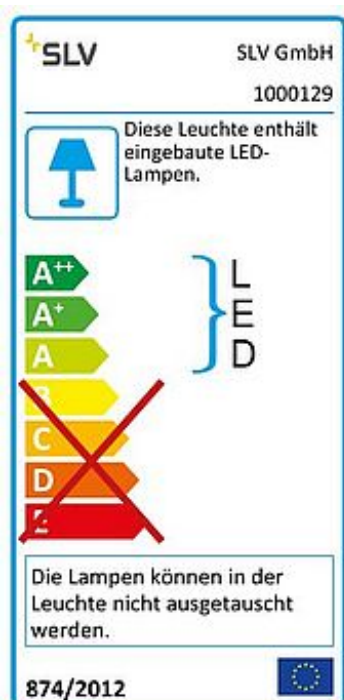


SLV KALU

wall and ceiling light, double-headed, LED, 3000K, black, 60°



Article number	1000129
Product family	Kalu LED
Feed-in capability	No
Lamp included	No
Tilt range	120 Degree
Rotation range	340 Degree
Length	28 cm
Width	8.9 cm
Height	16 cm
Net weight	1.481 kg
Gross weight	1.771 kg
Voltage	220-240V ~50/60Hz sec. 700mA
Protection class	I
Beam angle	60 Degree
Average lifespan	40000 Hours
Colour temperature	3000 Kelvin
Colour rendering index	80
Luminous flux	2000 lm
Energy efficiency class	A++
Way of mounting	Surface mounted / Ceiling mounted / Wall mounted
Colour	black
Form	round
Light distribution type 1	direct
Light distribution type 2	rotational symmetric

Material

Aluminium/plastic PC

Articles of this series

143731	KALU TRACK, spot for 240V 1-phase track, LED, 3000K, white, incl. 1-phase adapter
143734	KALU TRACK, spot for 240V 1-phase track, LED, 3000K, silver-grey, incl. 1-phase adapter
147250	KALU wall and ceiling light, single-headed, QR111, round, matt black, max. 50 W
147251	KALU wall and ceiling light, single-headed, QR111, round, matt white, max. 50 W
147256	KALU, wall and ceiling light, single-headed, QR111, round, brushed aluminium, max. 50 W
147260	KALU wall and ceiling light, double-headed, QR111, round, matt black, max. 100 W
147261	KALU wall and ceiling light, double-headed, QR111, round, matt white, max. 100 W
147266	KALU, wall and ceiling light, double-headed, QR111, round, brushed aluminium, max. 100 W
147270	KALU wall and ceiling light, triple-headed, QR111, round, matt black, max. 150 W
147271	KALU wall and ceiling light, triple-headed, QR111, round, matt white, max. 150 W
147276	KALU, wall and ceiling light, triple-headed, QR111, round, brushed aluminium, max. 150 W
147301	KALU wall and ceiling light, single-headed, QPAR111, round, matt white, max. 75 W
147306	KALU, wall and ceiling light, single-headed, QPAR111, round, brushed aluminium, max. 75 W
147311	KALU wall and ceiling light, double-headed, QPAR111, round, matt white, max. 150 W
147316	KALU, wall and ceiling light, double-headed, QPAR111, round, brushed aluminium, max. 150 W
147321	KALU wall and ceiling light, triple-headed, QPAR111, round, matt white, max. 225 W
147326	KALU, wall and ceiling light, triple-headed, QPAR111, round, brushed aluminium, max. 225 W
147600	KALU wall and ceiling light, single-headed, LED, 3000K, matt black, max. 10W

147601	KALU wall and ceiling light, single-headed, LED, 3000K, white/black, 10W
147610	KALU wall and ceiling light, double-headed, LED, 3000K, matt black, 20W
147611	KALU wall and ceiling light, double-headed, LED, 3000K, white/black, 20W
147620	KALU wall and ceiling light, triple-headed, LED, 3000K, matt black, 30W
147621	KALU wall and ceiling light, triple-headed, LED, 3000K, white/black, 30W
147630	KALU wall and ceiling light, four-headed, LED, 3000K, matt black, 40W, rectangular canopy
147631	KALU wall and ceiling light, four-headed, LED, 3000K, white/black, 40W, rectangular canopy
147640	KALU wall and ceiling light, four-headed, LED, 3000K, matt black, 40W, square canopy
147641	KALU wall and ceiling light, four-headed, LED, 3000K, white/black, 40W, square canopy
147650	KALU wall and ceiling light, four-headed, LED, 3000K, matt black, 40W, rectangular canopy extra long
147651	KALU, wall and ceiling light, four-headed, LED, 3000K, white/black, 40W, rectangular canopy extra long
147660	KALU FLOOR 1 floor stand, single-headed, LED, 3000K, matt black, max.10W
147661	KALU FLOOR 1 floor stand, single-headed, LED, 3000K, white / black, 10W
147670	KALU FLOOR 2 floor stand, double-headed, LED, 3000K, matt black, 20W
147671	KALU FLOOR 2 floor stand, double-headed, LED, 3000K, white / black, 20W
152600	KALU TRACK, spot for 240V 3-phase track, LED, 3000K, round, black, incl. 3-phase adapter
152601	KALU TRACK, spot for 240V 3-phase track, LED, 3000K, round, white, incl. 3-phase adapter
152604	KALU TRACK, spot for 240V 3-phase track, LED, 3000K, round, silver-grey, incl. 3-phase adapter
1000110	KALU, wall and ceiling light, single-headed, LED, 3000K, black, 24°

1000112	KALU, wall and ceiling light, single-headed, LED, 3000K, white/black, 24°
1000113	KALU, wall and ceiling light, double-headed, LED, 3000K, black, 24°
1000114	KALU, wall and ceiling light, double-headed, LED, 3000K, white/black, 24°
1000115	KALU, wall and ceiling light, three-headed, LED, 3000K, black, 24°
1000116	KALU, wall and ceiling light, three-headed, LED, 3000K, white/black, 24°
1000117	KALU, wall and ceiling light, four-headed, LED, 3000K, black, 24°
1000118	KALU, wall and ceiling light, four-headed, LED, 3000K, white/black, 24°
1000119	KALU, wall and ceiling light, four-headed, LED, 3000K, square, black, 24°
1000120	KALU, wall and ceiling light, four-headed, LED, 3000K, square, white/black, 24°
1000121	KALU, wall and ceiling light, four-headed, LED, 3000K, black, 88cm, 24°
1000122	KALU, wall and ceiling light, four-headed, LED, 3000K, white/black, 88cm, 24°
1000123	KALU, floor stand, single-headed, LED, 3000K, black, 24°
1000124	KALU, floor stand, single-headed, LED, 3000K, white/black, 24°
1000125	KALU, floor stand, double-headed, LED, 3000K, black, 24°
1000126	KALU, floor stand, double-headed, LED, 3000K, white/black, 24°
1000127	KALU, wall and ceiling light, single-headed, LED, 3000K, black, 60°
1000128	KALU, wall and ceiling light, single-headed, LED, 3000K, white/black, 60°
1000130	KALU, wall and ceiling light, double-headed, LED, 3000K, white/black, 60°
1000131	KALU, wall and ceiling light, three-headed, LED, 3000K, black, 60°
1000132	KALU, wall and ceiling light, three-headed, LED, 3000K, white/black, 60°

1000133	KALU, wall and ceiling light, four-headed, LED, 3000K, black, 60°
1000134	KALU, wall and ceiling light, four-headed, LED, 3000K, white/black, 60°
1000135	KALU, wall and ceiling light, four-headed, LED, 3000K, square, black, 60°
1000136	KALU, wall and ceiling light, four-headed, LED, 3000K, square, white/black, 60°
1000137	KALU, wall and ceiling light, four-headed, LED, 3000K, black, 88cm, 60°
1000138	KALU, wall and ceiling light, four-headed, LED, 3000K, white/black, 88cm, 60°
1000139	KALU, floor stand, single-headed, LED, 3000K, black, 60°
1000140	KALU, floor stand, single-headed, LED, 3000K, white/black, 60°
1000141	KALU, floor stand, double-headed, LED, 3000K, black, 60°
1000142	KALU, floor stand, double-headed, LED, 3000K, white/black, 60°
153600	KALU TRACK, spot for 3-circuit high-voltage track, LED, 3000K, black, 24°, incl. 3-circuit adapter
153601	KALU TRACK, spot for 3-circuit high-voltage track, LED, 3000K, white/black, 24°, incl. 3-circuit adapter

As one would expect, the LED extension of the popular KALU series guarantees the utterly free adjustment of lamp heads. Fitted with dimmable, high output LEDs, the KALU series has just become even more efficient and versatile! Available in matt black or black and white, KALU wall and ceiling light is supplied ready for direct connection to 230V mains supply.

Notes
