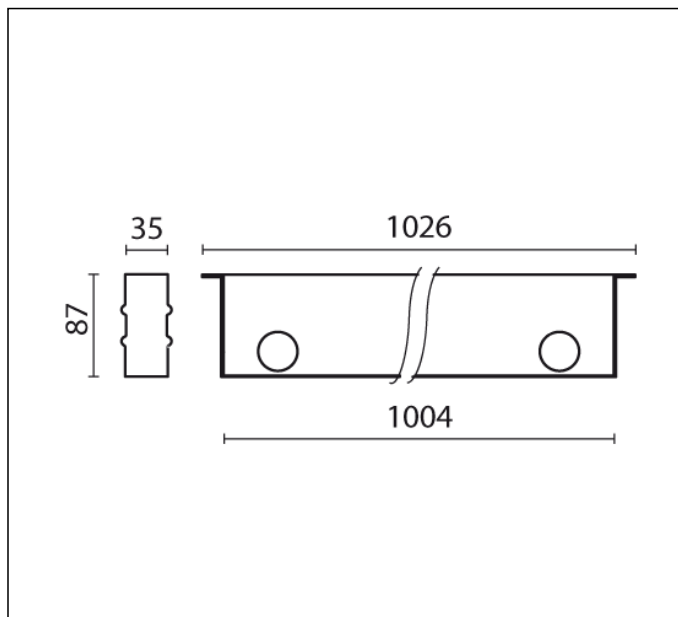
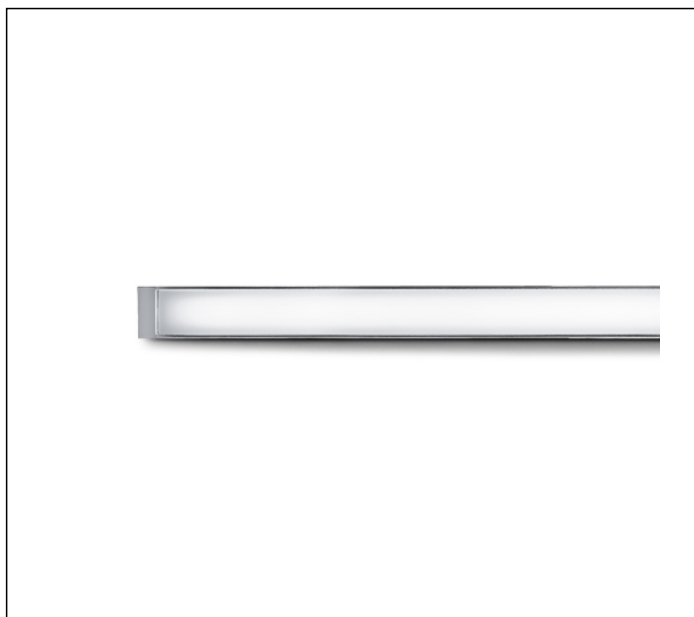
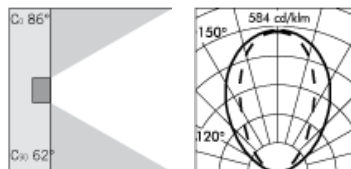


TECHNICAL DATA SHEET ART. S.7025W - RUNNER 1000mm



MODULES LED 3000K 230V 1260lm CRI 80
 Rated luminaire luminous flux: 340lm
 Rated input power: 12W
 Luminaire efficacy: 28lm/W
 Electronic ballast 220÷240V 0/50/60Hz



PRODUCT TYPE

Wall mounted luminaire. Recessing depth 90 mm. IP rating IP 65

MATERIAL CHARACTERISTICS

Fixing base and recessing box in extruded anodized EN AW-6060 aluminium housing (copper free) with high corrosion resistance. Mechanical resistance IK 10 Maximum load capacity --

LIGHTING PERFORMANCE

Extruded polycarbonate diffuser 3mm thick. Lamp fixed position. LOR -- Compact electronic ballast to guarantee better lamp stability, lifetime and reduced energy consumption.

RECESSING BOX

The housing is realized in aluminium and it is supplied with a protective cover resistant to tearing, which is to be removed only after cementing the housing flush to the pavement, just before the final installation of the fitting.

WIRING

Runner is a step recessed product to be installed on the riser and perfectly flush to the wall. The two ends wings of the recessing box can be easily shortened to vary the length of the product from 300 to 280 mm. Runner must be installed with its recessing box. The wiring is external to the housing. Luminaire hard wired with 1,00m H05RN-F single cable. Isolation: CLASS II. Available colours: Anodized aluminium (cod.13). Weight: 3.49 Kg Glow Wire test: --

Lamp included.

This luminaire contains built-in LED modules with energy class: A, A+, A++. In case of damage or malfunction please contact the manufacturer to receive additional instructions on how to replace and relative spare parts to order. The LED modules cannot be handled in the luminaire by the end user (Regulation UE 874/2012).

LED circuit boards are engineered accordingly to actual Lumen Maintenance regulation (LM80) and Technical Memorandum (TM21) where uniformity and quality of light is 50.000 hours referred to L70 B20 Ta 25°C.

Lifecycle refers to LED circuit boards only, all others components of the luminaire are excluded.

EMERGENCY VERSIONS

The fittings operates both on AC (50/60Hz) and DC (0Hz) voltage.

**TECHNICAL DATA SHEET ART. S.7025W - RUNNER 1000mm
ACCESSORIES**



**S.7030
RECESSING BOX**
1026 x 35mm
Depth 90mm