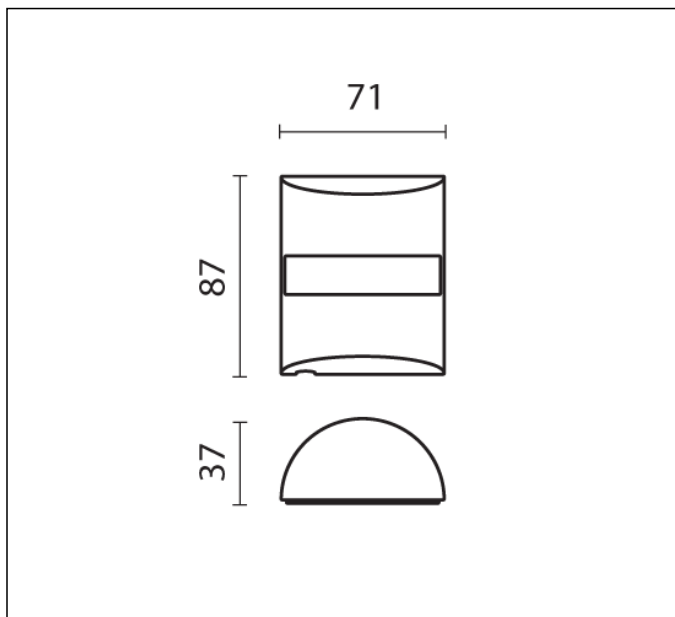


TECHNICAL DATA SHEET ART. S.6425N - MINISHAPE



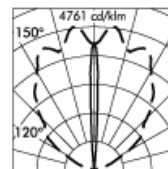
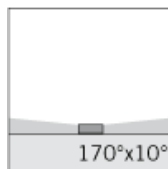
MODULES LED 4000K 350-1200mA CRI 70

Rated luminaire luminous flux: 204lm

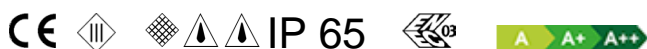
Rated input power: 3.6W

Luminaire efficacy: 57lm/W

Without transformer



mA	350	500	700	1000	1200
Watt	1,0	1,4	2,0	3,0	3,6
Lumen (3000K)	67	92	121	158	179
Lumen (4000K)	76	105	137	180	204



PRODUCT TYPE

Wall mounted luminaire. IP rating IP 65

MATERIAL CHARACTERISTICS

Aluminium die cast housing in EN AB-47100 (low copper content) with high resistance against corrosion. Stone wash surface treatment prior to painting process. A4 grade Stainless Steel screws with 2,5-3% molybdenum content which increases the resistance against corrosion. Silicone gaskets. Painting Process : 3 Step Process

1) Surface treatment with BONDERITE. A heavy metal free chemical surface treatment containing ceramic nano particles giving a cohesive, inorganic and highly dense protective coating. 2) PRE POLYMERIZATION a process of introducing an epoxy primer with excellent characteristics to the paint which also offers very high resistance to oxidation due to its Zinc content. 3) POLYMERIZATION a process with the application of polyester powder with high resistance against UV rays and harsh weather conditions. Resistance test protection for Marine applications for 1200h. Mechanical resistance IK 10

LIGHTING PERFORMANCE

Clear polycarbonate diffuser. LOR --

INSTALLATION AND MAINTENANCE

Protective cover with clip locking system. No visible screws. The fitting allows an adjustment of approximately 5° for the perfect alignment of the light beam with the window frame.

WIRING

SHAPE Supplied with a 1,5m pre-wired H05RN-F cable. Isolation: CLASS III . Available colours: White (cod.01), Aluminium grey (cod.14). Weight: 0.45 Kg Glow Wire test: --

Lamp included.

SHAPE REGISTERED DESIGN

This luminaire contains built-in LED modules with energy class: A, A+, A++. In case of damage or malfunction please contact the manufacturer to receive additional instructions on how to replace and relative spare parts to order. The LED modules cannot be handled in the luminaire by the end user (Regulation UE 874/2012).

LED circuit boards are engineered accordingly to actual Lumen Maintenance regulation (LM80) and Technical Memorandum (TM21) where uniformity and quality of light is 50.000 hours referred to L70 B20 Ta 25°C.

Lifecycle refers to LED circuit boards only, all others components of the luminaire are excluded.

EMERGENCY VERSIONS

The fittings operates both on AC (50/60Hz) and DC (0Hz) voltage.

TECHNICAL DATA SHEET ART. S.6425N - MINISHAPE ACCESSORIES



S.3424
REMOTE FIXED-POWER SUPPLY 230V/1200mA 6W
IP20
Power consumption 6W
Dimensions 57mm x31mm x21mm
IP20
Must be installed in protect area, suitable for 1 device.



S.3423
REMOTE MULTI-POWER SUPPLY
230V/350mA-1050mA
Dimmable 1-10V, PUSH BOTTON
Maximum power consumption:
@350mA 15W, @500mA 21W, @550mA 23W, @650mA 27W, @700mA 29W, @750mA 31W, @850mA 35W, @900mA 37W, @1050mA 39W
Dimensions 130mm x67mm x21mm
IP20
For easy installation we recommend the wiring of maximum 2 devices in series to each power supply.



S.3426
DALI REMOTE MULTI-POWER SUPPLY
230V/250mA-700mA
or 230V/24V
Maximum power consumption:
@250mA 10W, @350mA 15W, @400mA 17W, @450mA 19W, @500-700mA 20W.
@24V 16W
Dimensions 110mm x50mm x20mm
IP20



S.3427
DALI REMOTE MULTI-POWER SUPPLY
Dali, Dimmable 1-10V, PUSH BOTTON
230V/350mA-1050mA
Maximum power consumption:
@350mA 25W, @500mA 35W, @550mA 39W, @650mA 46W, @700-1050mA 50W.
Dimensions 125mm x80mm x20mm
IP20