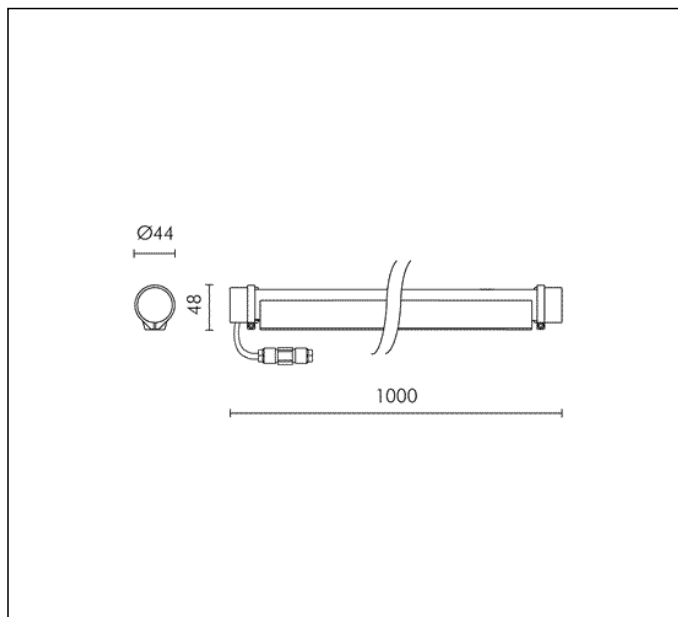
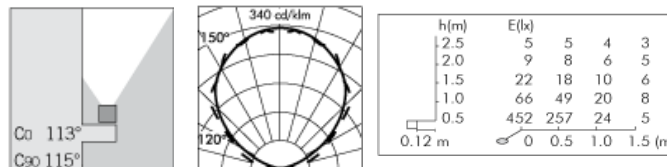


TECHNICAL DATA SHEET ART. S.5905N - ROTATING LED TUBE



70 MODULES LED 4000K 230V 2300lm CRI 90 MacAdam step 3
 Rated luminaire luminous flux: 1784lm
 Rated input power: 23W
 Luminaire efficacy: 78lm/W
 Electronic ballast 220÷240V 50/60Hz



PRODUCT TYPE

Wall mounted luminaire. IP rating IP 65

MATERIAL CHARACTERISTICS

Fixing base in extruded anodized EN AW-6060 aluminium housing (copper free) with high corrosion resistance. A4 grade Stainless Steel screws with 2,5-3% molybdenum content which increases the resistance against corrosion. Pre treated Silicone Gaskets. Mechanical resistance IK 08

LIGHTING PERFORMANCE

Coextruded transparent polycarbonate diffuser 1,5 mm thick with a 50 micron protective layer against UV rays. The surface of the diffuser has a reeded half and a clear half: the diffuser rotates inside the aluminium base, therefore allowing to choose a direct or diffused light distribution. The transparent silicone cap guarantees an excellent light transmission. Lamp fixed position. LOR --

INSTALLATION AND MAINTENANCE

Transparent silicone end caps. The polycarbonate diffuser of the ROTATING LED TUBE is fastened to the aluminium base through a lock mechanism. The LED circuit and aluminium profile can be easily cut to size. The aluminium profiles can be easily shortened by using a small hacksaw. The length of the LED circuit can be cut in 10 cm sections or multiples. After snapping the circuit with nippers it is imperative to re-position it in the center of the aluminium profile in order to obtain an optimal lighting effect. Example: in case of a window frame with 87 cm width, the 1 m rod will be cut to 87 cm while the LED circuit will be shortened to 80 cm (by clipping off the end opposite to the supply cable entry) and re-position the circuit into the center of the rod so to obtain a uniform distribution of light.

WIRING

Supply 0.4m cable section type H07RN-F. Circuit equipped with a through supply system for parallel connection up to a maximum of 5 fittings in line (24V and RGB) , maximum of 10 fittings in line (230V). Isolation: CLASS II . Available colours: Anodized aluminium (cod.13). Weight: 0.9 Kg Glow Wire test: --

L.E.D circuit included.

ROTATING LED TUBE PATENTED 2013

This luminaire contains built-in LED modules with energy class: A, A+, A++. In case of damage or malfunction please contact the manufacturer to receive additional instructions on how to replace and relative spare parts to order. The LED modules cannot be handled in the luminaire by the end user (Regulation UE 874/2012).

LED circuit boards are engineered accordingly to actual Lumen Maintenance regulation (LM80) and Technical Memorandum (TM21) where uniformity and quality of light is 50.000 hours referred to L70 B20 Ta 25°C.

Lifecycle refers to LED circuit boards only, all others components of the luminaire are excluded.

TECHNICAL DATA SHEET ART. S.5905N - ROTATING LED TUBE ACCESSORIES



S.5901
WALL BRACKET
For wall applications



S.3408
END CAP WITH SUPPLY CABLE
Silicone end cap with piece of cable to supply the following fitting with parallel connection.

Further information

FIXING BASE

