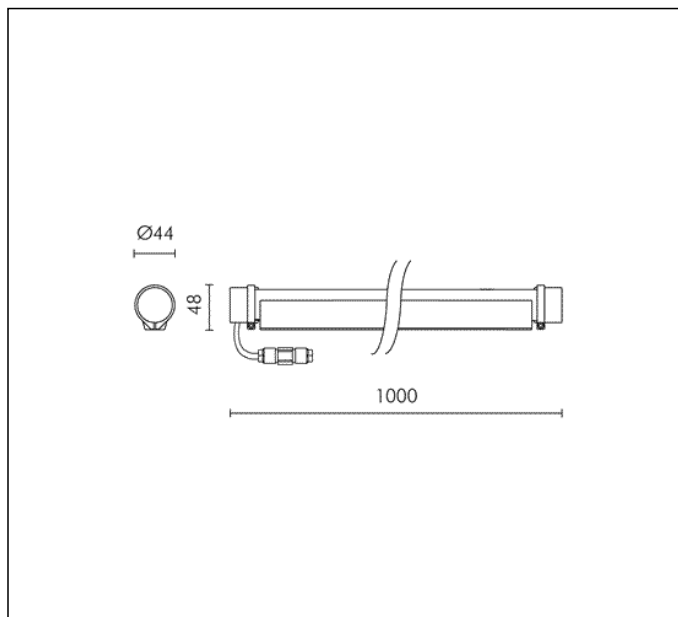
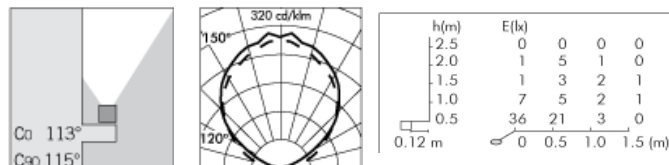


TECHNICAL DATA SHEET ART. S.5902 - ROTATING LED TUBE



MODULES LED RGB 24V PWM
 Rated luminaire luminous flux: 286lm
 Rated input power: 16W
 Luminaire efficacy: 18lm/W
 Without transformer



PRODUCT TYPE

Wall mounted luminaire. IP rating IP 65

MATERIAL CHARACTERISTICS

Fixing base in extruded anodized EN AW-6060 aluminium housing (copper free) with high corrosion resistance. A4 grade Stainless Steel screws with 2,5-3% molybdenum content which increases the resistance against corrosion. Pre treated Silicone Gaskets. Mechanical resistance IK 08

LIGHTING PERFORMANCE

The spectral distribution of the light is intended to change the appearance of the scene or object lit. Not intended for use in other applications. Coextruded transparent polycarbonate diffuser 1,5 mm thick with a 50 micron protective layer against UV rays. The surface of the diffuser has a reeded half and a clear half: the diffuser rotates inside the aluminium base, therefore allowing to choose a direct or diffused light distribution. The transparent silicone cap guarantees an excellent light transmission. Lamp fixed position. LOR --

INSTALLATION AND MAINTENANCE

Transparent silicone end caps. The polycarbonate diffuser of the ROTATING LED TUBE is fastened to the aluminium base through a lock mechanism. The LED circuit and aluminium profile can be easily cut to size. The aluminium profiles can be easily shortened by using a small hacksaw. The length of the LED circuit can be cut in 10 cm sections or multiples. After snapping the circuit with nippers it is imperative to re-position it in the center of the aluminium profile in order to obtain an optimal lighting effect. Example: in case of a window frame with 87 cm width, the 1 m rod will be cut to 87 cm while the LED circuit will be shortened to 80 cm (by clipping off the end opposite to the supply cable entry) and re-position the circuit into the center of the rod so to obtain a uniform distribution of light.

WIRING

Supply 0.4m cable section type H07RN-F. Circuit equipped with a through supply system for parallel connection up to a maximum of 5 fittings in line (24V and RGB) , in a circuit of 10 fittings in line (230V). Isolation: CLASS III . Available colours: Anodized aluminium (cod.13). Weight: 0.8 Kg Glow Wire test: --

ROTATING LED TUBE PATENTED 2013

This luminaire contains built-in LED modules with energy class: A, A+, A++. In case of damage or malfunction please contact the manufacturer to receive additional instructions on how to replace and relative spare parts to order. The LED modules cannot be handled in the luminaire by the end user (Regulation UE 874/2012).

LED circuit boards are engineered accordingly to actual Lumen Maintenance regulation (LM80) and Technical Memorandum (TM21) where uniformity and quality of light is 50.000 hours referred to L70 B20 Ta 25°C.

Lifecycle refers to LED circuit boards only, all others components of the luminaire are excluded.

TECHNICAL DATA SHEET ART. S.5902 - ROTATING LED TUBE ACCESSORIES



S.3413
REMOTE RGBW PWM POWER SUPPLY 100W IP55
100W 240V/24V PWM
 IP55 box with 100W power supply 240V/24V PWM controlled by DMX protocol.
 The Total power of all connected luminaires may not be higher than the power of the driver.
 Dimensions 260mm x260mm x100mm



S.3409
END CAP WITH SUPPLY CABLE
 Only for RGB version.
 Silicone end cap with piece of cable to supply the following fitting with parallel connection.



S.5901
WALL BRACKET
 For wall applications



S.3411
REMOTE RGBW PWM POWER SUPPLY 50W IP55
50W 240V/24V PWM
 IP55 box with 50W power supply 240V/24V PWM controlled by DMX protocol.
 The Total power of all connected luminaires may not be higher than the power of the driver.
 Dimensions 260mm x260mm x100mm



S.3493
DMX CONTROLLER SET
 This DMX system includes a controller (A) and a control unit (B).
 The controller has a wall fixed base wired to the control unit.
 With the controller (A) simple sceneries can be programmed and managed.
 The control unit (B) memorizes and runs the light sceneries generated by the controller (A) through a DMX signal. Moreover it can memorize complex light sceneries created with a computer using a professional DMX software.
 IP20



S.3494
REMOTE CONTROL UNIT
 It allows the wireless connection via radio waves between the controller (A) and the control unit (B).
 Hence the controller (A) becomes portable.
 IP20

Further information

FIXING BASE

