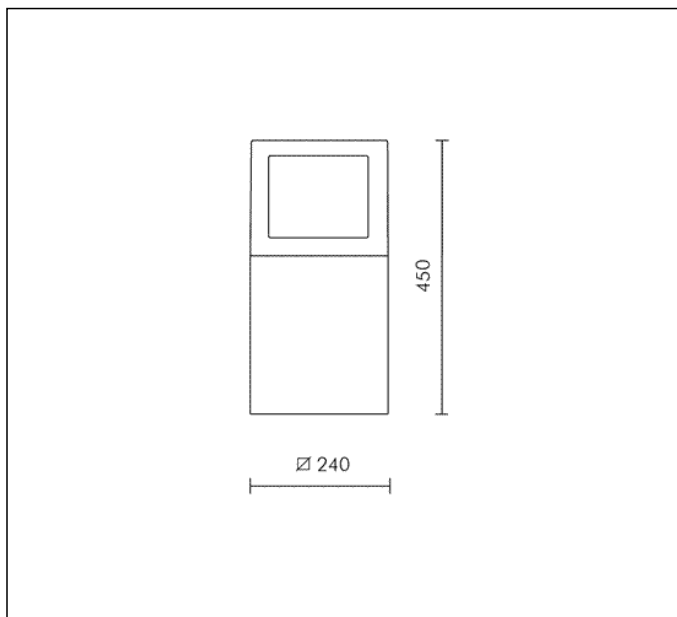
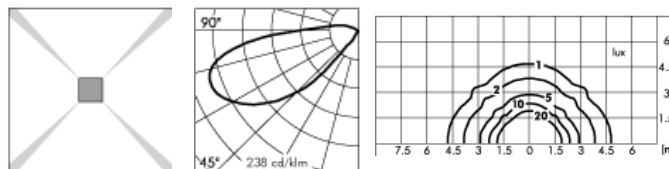


TECHNICAL DATA SHEET ART. S.5374W - MEGACUBIKS 4 WINDOWS 45 cm



4 MODULES LED COB 3000K 5900lm CRI 90 MacAdam step 3
 Rated luminaire luminous flux: 2120lm
 Rated input power: 55W
 Luminaire efficacy: 39lm/W
 Electronic ballast 220÷240V 50/60Hz



CE □ IP 66

A A+ A++

Fixture available with integral DALI driver on request with surcharge.

PRODUCT TYPE

Bollard fitting. IP rating IP 66

MATERIAL CHARACTERISTICS

Extruded EN AW-6060 aluminium profile, die-cast EN AB-47100 aluminium housing with high corrosion resistance. Stone wash surface treatment prior to painting process. A4 grade Stainless Steel screws with 2,5-3% molybdenum content which increases the resistance against corrosion. Pre treated Silicone Gaskets. Painting Process : 3 Step Process

1) Surface treatment with BONDERITE. A heavy metal free chemical surface treatment containing ceramic nano particles giving a cohesive, inorganic and highly dense protective coating. 2) PRE POLYMERIZATION a process of introducing an epoxy primer with excellent characteristics to the paint which also offers very high resistance to oxidation due to its Zinc content. 3) POLYMERIZATION a process with the application of polyester powder with high resistance against UV rays and harsh weather conditions. Resistance test protection for Marine applications for 1200h. Mechanical resistance IK 10

VERY SOLID BOLLARD

The accessory flange when rooted into the ground provides extra protection and prevents the bollard from being knocked over. The bollard head component is made from a one piece ALUMINIUM DIE-CAST. The 4 angled sides provide a very rigid solution.

LIGHTING PERFORMANCE

The optic system combines 2 elements: 1) reflector 99.98% pure aluminium; 2) elongation lenses The reflector is placed above the lamp to maximize the light output, capturing any indirect light, reflecting the rays back down towards the prismatic lens. An ENLONGATION LENS provides even horizontal light distribution at ground level. The lens is fixed to the aluminium support with a very strong resin. The eye perception is even lighting when the luminaire is in a real environment. Lamp fixed position. LOR -- 4 windows version are delivered as standard but, on request, can be delivered with: 1 window; 2 windows; 3 windows; If the window is closed the design is always clean.

WIRING

Supplied with 0.5m cable type H07RN-F and IP67 fast connector. The connector must be connected at the supply line (Ø 12÷16 mm). Isolation: CLASS II. Available colours: Aluminium grey (cod.14). Weight: 12 Kg Glow Wire test: --

Lamp included.

CUBIKS REGISTERED DESIGN

This luminaire contains built-in LED modules with energy class: A, A+, A++. In case of damage or malfunction please contact the manufacturer to receive additional instructions on how to replace and relative spare parts to order. The LED modules cannot be handled in the luminaire by the end user (Regulation UE 874/2012).

LED circuit boards are engineered accordingly to actual Lumen Maintenance regulation (LM80) and Technical Memorandum (TM21) where uniformity and quality of light is 50.000 hours referred to L70 B20 Ta 25°C.

Lifecycle refers to LED circuit boards only, all others components of the luminaire are excluded.

TECHNICAL DATA SHEET ART. S.5374W - MEGACUBIKS 4 WINDOWS 45 cm INCLUDED ACCESSOIRES



FAST CONNECTOR INCLUDED

ACCESSORIES



S.5350
FLANGE FOR BOLLARD
Ø 240 mm flange to be fixed in concrete with stainless steel screws for fixing in the ground.

Further information

FIXING BASE

