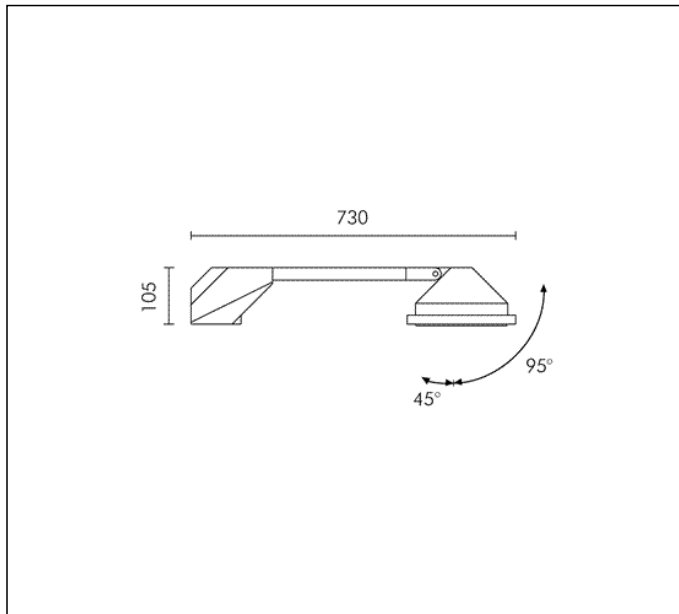
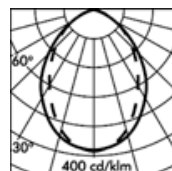
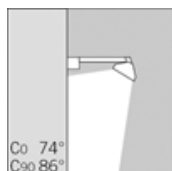


## TECHNICAL DATA SHEET ART. S.4326 - WIP PROJECTOR

Available until 31/12/2017 but subject to stock levels



HIT-DE 70W CLEAR Rx7s 6500lm  
 Rated luminaire luminous flux: 4680lm  
 Rated input power: 84W  
 Luminaire efficacy: 56lm/W (LOR: 72%)  
 Magnetic transformer 230÷240V 50Hz  
 EEI=A3, LOSSES=12.2W



	74° ØC0(m)	86° ØC90(m)	E(lx)
h(m)			
2	3.05	3.69	650
4	6.09	7.38	163
6	9.14	11.07	72
8	12.19	14.76	41
10	15.24	18.46	26



### PRODUCT TYPE

Projector. IP rating IP 65

### MATERIAL CHARACTERISTICS

Aluminium die cast housing in EN AB-47100 (low copper content) with high resistance against corrosion. Stone wash surface treatment prior to painting process. A4 grade Stainless Steel screws with 2,5-3% molybdenum content which increases the resistance against corrosion. EPDM gaskets. Painting Process : 3 Step Process

1) Surface treatment with BONDERITE. A heavy metal free chemical surface treatment containing ceramic nano particles giving a cohesive, inorganic and highly dense protective coating. 2) PRE POLYMERIZATION a process of introducing an epoxy primer with excellent characteristics to the paint which also offers very high resistance to oxidation due to its Zinc content. 3) POLYMERIZATION a process with the application of polyester powder with high resistance against UV rays and harsh weather conditions. Resistance test protection for Marine applications for 1200h. Mechanical resistance IK 06

### LIGHTING PERFORMANCE

Reflector in 99.98% pure anodized aluminium . Pressed and sand blasted glass diffuser. Lamp fixed position. LOR 72%

### WIRING

Double cable entries with PG13.5 cable glands. Isolation: CLASS I . Available colours: Black (cod.09), Aluminium grey (cod.14). Weight: 5.4 Kg Glow Wire test: 850°C  
**Lamp not included.**

**This luminaire is compatible with bulbs of the energy classes: A+ (Regulation UE 874/2012).**

TECHNICAL DATA SHEET ART. S.4326 - WIP PROJECTOR

Further information

FIXING BASE

