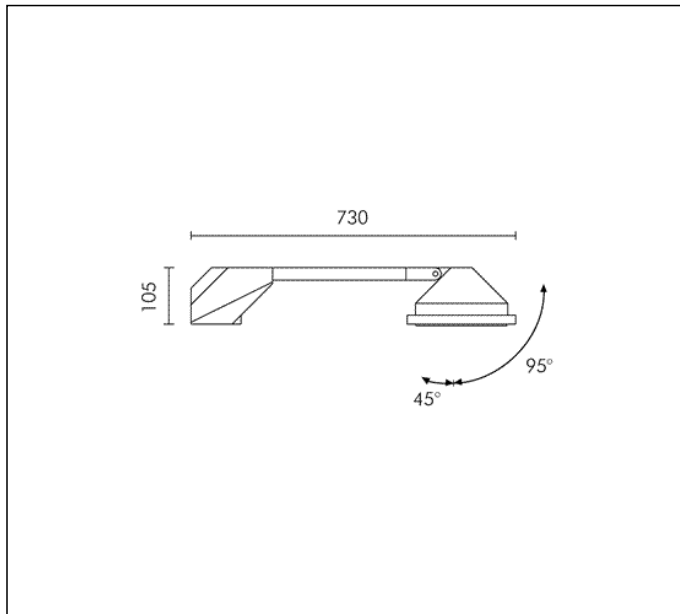
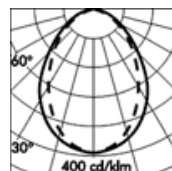
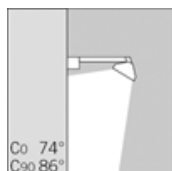


TECHNICAL DATA SHEET ART. S.4321 - WIP PROJECTOR

Available until 31/12/2017 but subject to stock levels



QT-DE12 300W R7s 5000lm
 Rated luminaire luminous flux: 3600lm
 Rated input power: 300W
 Luminaire efficacy: 12lm/W (LOR: 72%)
 220÷240V 50/60Hz



h(m)	74°		86°	
	ØCo(m)	ØC90(m)	E(lx)	
2	3.05	3.69	500	
4	6.09	7.38	125	
6	9.14	11.07	56	
8	12.19	14.76	31	
10	15.24	18.46	20	



PRODUCT TYPE

Projector. IP rating IP 65

MATERIAL CHARACTERISTICS

Aluminium die cast housing in EN AB-47100 (low copper content) with high resistance against corrosion. Stone wash surface treatment prior to painting process. A4 grade Stainless Steel screws with 2,5-3% molybdenum content which increases the resistance against corrosion. EPDM gaskets. Painting Process : 3 Step Process

1) Surface treatment with BONDERITE. A heavy metal free chemical surface treatment containing ceramic nano particles giving a cohesive, inorganic and highly dense protective coating. 2) PRE POLYMERIZATION a process of introducing an epoxy primer with excellent characteristics to the paint which also offers very high resistance to oxidation due to its Zinc content. 3) POLYMERIZATION a process with the application of polyester powder with high resistance against UV rays and harsh weather conditions. Resistance test protection for Marine applications for 1200h. Mechanical resistance IK 06

LIGHTING PERFORMANCE

Reflector in 99.98% pure anodized aluminium . Pressed and sand blasted glass diffuser. Lamp fixed position. LOR 72%

WIRING

Double cable entries with PG13.5 cable glands. Isolation: CLASS I . Available colours: Black (cod.09), Aluminium grey (cod.14). Weight: 4 Kg Glow Wire test: 850°C
Lamp not included.

This luminaire is compatible with bulbs of the energy classes: C (Regulation UE 874/2012).

TECHNICAL DATA SHEET ART. S.4321 - WIP PROJECTOR

Further information

FIXING BASE

