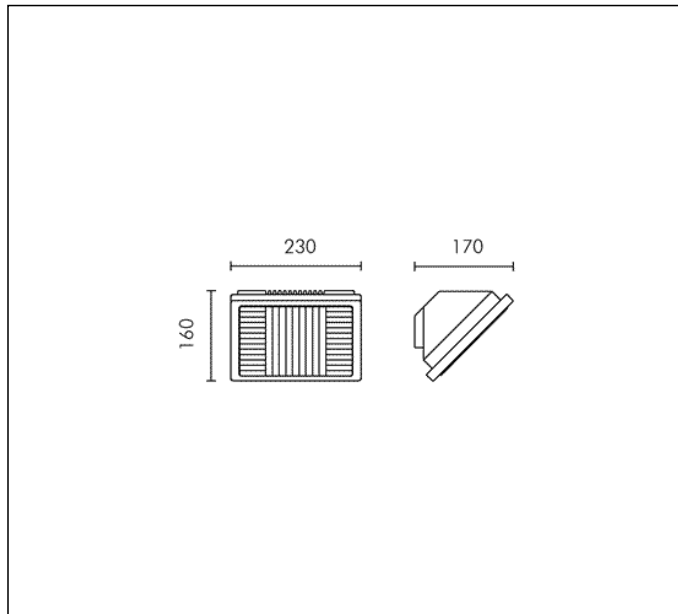
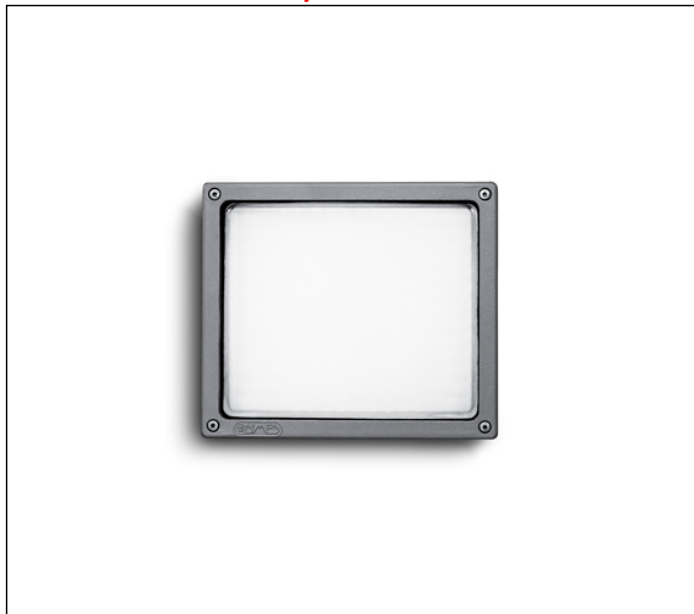
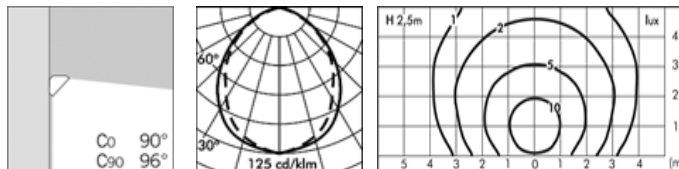


## TECHNICAL DATA SHEET ART. S.4309 - WIP APPLIQUE

Available until 31/12/2017 but subject to stock levels



TC-D 18W G24d-2 1200lm  
 Rated luminaire luminous flux: 324lm  
 Rated input power: 22W  
 Luminaire efficacy: 15lm/W (LOR: 27%)  
 Magnetic transformer 230÷240V 50Hz



### PRODUCT TYPE

Wall mounted luminaire. IP rating IP 65

### MATERIAL CHARACTERISTICS

Aluminium die cast housing in EN AB-47100 (low copper content) with high resistance against corrosion. Stone wash surface treatment prior to painting process. A4 grade Stainless Steel screws with 2,5-3% molybdenum content which increases the resistance against corrosion. EPDM gaskets. Painting Process : 3 Step Process

1) Surface treatment with BONDERITE. A heavy metal free chemical surface treatment containing ceramic nano particles giving a cohesive, inorganic and highly dense protective coating. 2) PRE POLYMERIZATION a process of introducing an epoxy primer with excellent characteristics to the paint which also offers very high resistance to oxidation due to its Zinc content. 3) POLYMERIZATION a process with the application of polyester powder with high resistance against UV rays and harsh weather conditions. Resistance test protection for Marine applications for 1200h. Mechanical resistance IK 06

### LIGHTING PERFORMANCE

Reflector in 99.98% pure anodized aluminium . Pressed and sand blasted glass diffuser. Lamp fixed position. LOR 27%

### WIRING

Double cable entry . Isolation: CLASS I . Available colours: Black (cod.09), Aluminium grey (cod.14). Weight: 2 Kg Glow Wire test: 850°C

**Lamp not included.**

**This luminaire is compatible with bulbs of the energy classes: A (Regulation UE 874/2012).**

### EMERGENCY VERSIONS

On request the fittings could be provided with electronic ballast which operate both on AC ( 50/60Hz ), both on DC ( 0Hz ) voltage.

TECHNICAL DATA SHEET ART. S.4309 - WIP APPLIQUE

Further information

FIXING BASE

