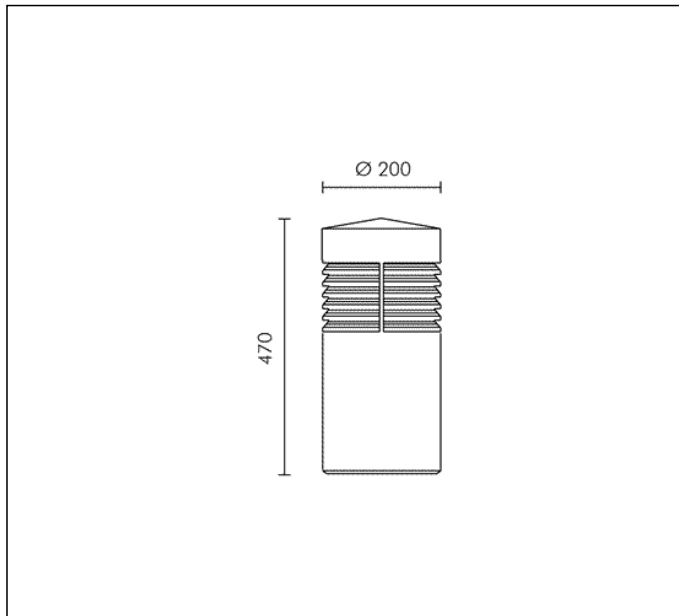
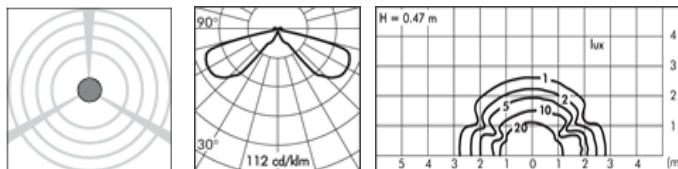


## TECHNICAL DATA SHEET ART. S.4166 - COLUMN POINTED HEAD 45°

Available until 31/12/2017 but subject to stock levels



HIT-CE/S 70W CLEAR E27 6300lm  
 Rated luminaire luminous flux: 1134lm  
 Rated input power: 84W  
 Luminaire efficacy: 14lm/W (LOR: 18%)  
 Magnetic transformer 230÷240V 50Hz  
 EEI=A3, LOSSES=12.2W



### PRODUCT TYPE

Bollard fitting. IP rating IP 65

### MATERIAL CHARACTERISTICS

Extruded EN AW-6060 aluminium profile, die-cast EN AB-47100 aluminium housing with high corrosion resistance. Stone wash surface treatment prior to painting process. A4 grade Stainless Steel screws with 2,5-3% molybdenum content which increases the resistance against corrosion. Pre treated Silicone Gaskets. Painting Process : 3 Step Process

1) Surface treatment with BONDERITE. A heavy metal free chemical surface treatment containing ceramic nano particles giving a cohesive, inorganic and highly dense protective coating. 2) PRE POLYMERIZATION a process of introducing an epoxy primer with excellent characteristics to the paint which also offers very high resistance to oxidation due to its Zinc content. 3) POLYMERIZATION a process with the application of polyester powder with high resistance against UV rays and harsh weather conditions. Resistance test protection for Marine applications for 1200h. Mechanical resistance IK 10

### LIGHTING PERFORMANCE

Clear polycarbonate lens with controlled downward light emission for avoiding any glare, UV-stabilised and vandalproof . Lamp fixed position . LOR 18%

### WIRING

Is supplied with 0.3m cable H07RN-F and fast connector IP67 (Ø 12÷16 mm). (Without door for electrical inspections and connection box with fuses). Isolation: CLASS II . Available colours: Aluminium grey (cod.14). Weight: 9.1 Kg Glow Wire test: 750°C

Lamp not included.

This luminaire is compatible with bulbs of the energy classes: A+ (Regulation UE 874/2012).

## TECHNICAL DATA SHEET ART. S.4166 - COLUMN POINTED HEAD 45° INCLUDED ACCESSOIRES



FAST CONNECTOR INCLUDED

### ACCESSORIES



S.4171  
FLANGE

Flange Ø 195mm h 165mm to be fixed in concrete with stainless steel screws for fixing in the ground.  
Footstall dimension can be calculated according to your country norms and ground properties.

### Further information

#### FIXING BASE

