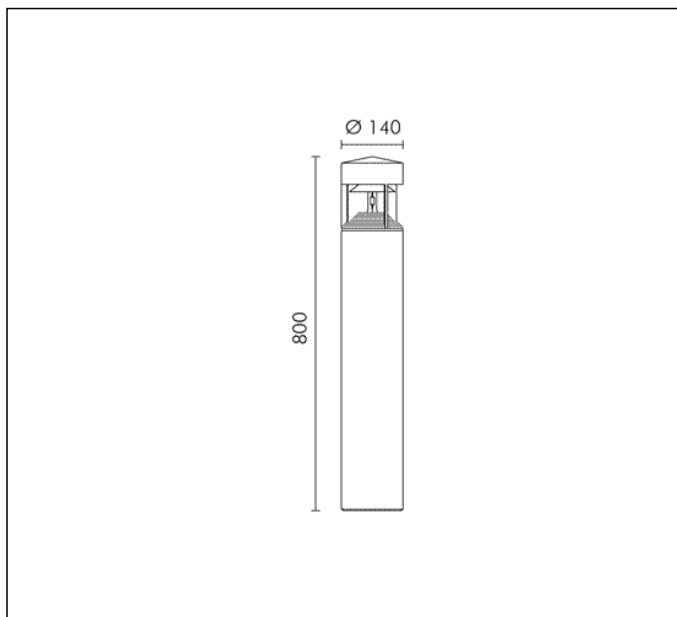
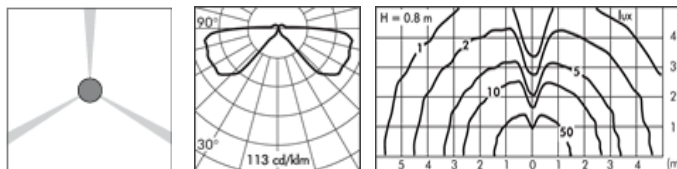


TECHNICAL DATA SHEET ART. S.4151 - MINICOLUMN POINTED HEAD

Available until 31/12/2017 but subject to stock levels



HIT-CRI 35W G12 3300lm
 Rated luminaire luminous flux: 1617lm
 Rated input power: 44W
 Luminaire efficacy: 37lm/W (LOR: 48%)
 Magnetic transformer 230÷240V 50Hz



PRODUCT TYPE

Bollard fitting. IP rating IP 65

MATERIAL CHARACTERISTICS

Extruded EN AW-6060 aluminium profile, die-cast EN AB-47100 aluminium housing with high corrosion resistance. Stone wash surface treatment prior to painting process. A4 grade Stainless Steel screws with 2,5-3% molybdenum content which increases the resistance against corrosion. Pre treated Silicone Gaskets. Painting Process : 3 Step Process

1) Surface treatment with BONDERITE. A heavy metal free chemical surface treatment containing ceramic nano particles giving a cohesive, inorganic and highly dense protective coating. 2) PRE POLYMERIZATION a process of introducing an epoxy primer with excellent characteristics to the paint which also offers very high resistance to oxidation due to its Zinc content. 3) POLYMERIZATION a process with the application of polyester powder with high resistance against UV rays and harsh weather conditions. Resistance test protection for Marine applications for 1200h. Mechanical resistance IK 10

LIGHTING PERFORMANCE

Clear polycarbonate lens with controlled downward light emission for avoiding any glare, UV-stabilised and vandalproof . Lamp fixed position . LOR 48%

WIRING

Supplied with rubber 0.8m cable H07RN-F and fast connector IP67. The connector must be connected at the supply line (Ø 12÷16 mm). Isolation: CLASS II . Available colours: Aluminium grey (cod.14). Weight: 6.5 Kg Glow Wire test: 750°C

Lamp not included.

This luminaire is compatible with bulbs of the energy classes: A+ (Regulation UE 874/2012).

TECHNICAL DATA SHEET ART. S.4151 - MINICOLUMN POINTED HEAD INCLUDED ACCESSOIRES



FAST CONNECTOR INCLUDED

ACCESSORIES



S.4172
FLANGE

Flange \varnothing 140mm h 115mm to be fixed in concrete with stainless steel screws for fixing in the ground.

Footstall dimension can be calculated according to your country norms and ground properties.

Further information

FIXING BASE

