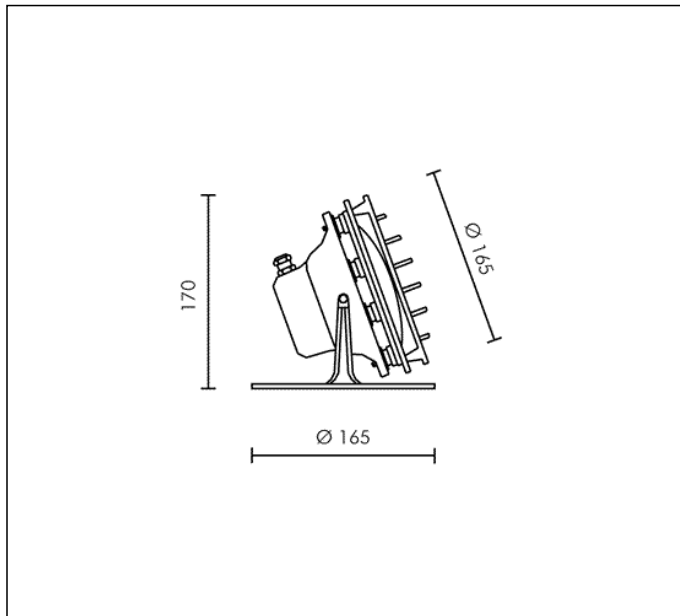
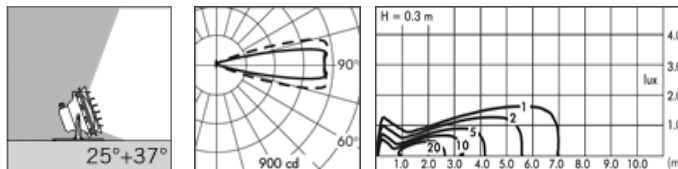


TECHNICAL DATA SHEET ART. S.3641 - MINISUB

Available until 31/12/2017 but subject to stock levels



QPAR-36 50W vite
 Rated luminaire luminous flux: 293lm
 Rated input power: 50W
 Luminaire efficacy: 6lm/W (LOR: --)
 12V 50/60Hz



CE III IP 68 - 3m E

PRODUCT TYPE

Submersion luminaire. IP rating IP 68

MATERIAL CHARACTERISTICS

Sand cast bronze housing type B10. A4 grade Stainless Steel screws with 2,5-3% molybdenum content which increases the resistance against corrosion. Silicone gaskets.

LIGHTING PERFORMANCE

Lamp fixed position. LOR --

WIRING

Single cable entry with 1/2" brass cable gland. Luminaire hard wired with 6 m. neoprene cable (2 x 6 mm²) cable type H07RN-F, closed by cable gland and sealed with B component epoxy resin, wired internally protected by silicon sheaths Isolation: CLASS III. Available colours: Bronze (cod.08). Weight: 5.3 Kg

Lamp included.

Not suitable to install outside the water.

Suitable for submersion in sea water.

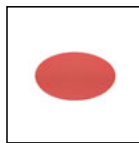
This luminaire is compatible with bulbs of the energy classes: E. The luminaire is sold with a bulb of the energy class: E (Regulation UE 874/2012).

TECHNICAL DATA SHEET ART. S.3641 - MINISUB ACCESSORIES



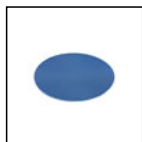
S.3644
PROTECTION GRILL IN BRONZE
Ø165 mm.

Available until 31/12/2017 but subject to stock levels



S.3646
COLOURED FILTER
Red

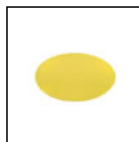
To be used only with the PROTECTION GRILL S.3644



S.3647
COLOURED FILTER
Blue

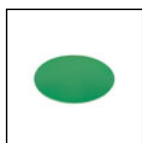
To be used only with the PROTECTION GRILL S.3644

Available until 31/12/2017 but subject to stock levels



S.3648
COLOURED FILTER
Yellow

To be used only with the PROTECTION GRILL S.3644



S.3649
COLOURED FILTER
Green

To be used only with the PROTECTION GRILL S.3644

Available until 31/12/2017 but subject to stock levels



S.3643
TRANSFORMER 50VA 240V ÷ 12V
in IP65 box.