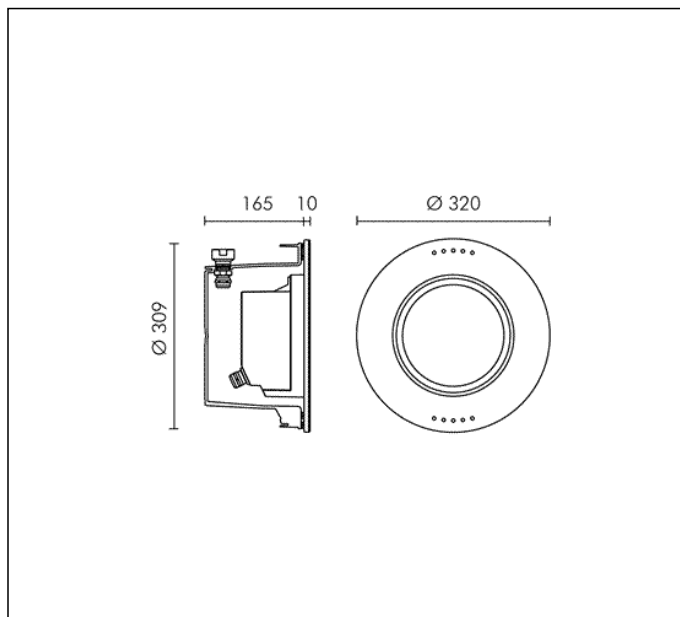
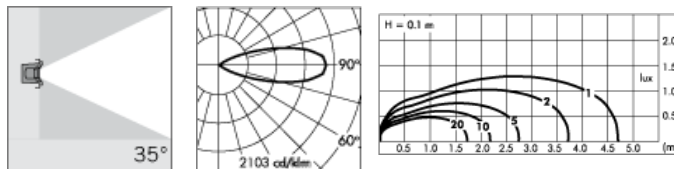


TECHNICAL DATA SHEET ART. S.3630.19 - POOL



12 MODULES LED RGBW 24V PWM
 Rated luminaire luminous flux: 430lm
 Rated input power: 31W
 Luminaire efficacy: 14lm/W
 Without transformer



CE III IP 68 - 3m A A+ A++

PRODUCT TYPE

Submersion luminaire. IP rating IP 68

MATERIAL CHARACTERISTICS

Talc-filled technopolymer housing. Marine grade stainless steel AISI 316L front trim 2 mm thick. A4 grade Stainless Steel screws with 2,5-3% molybdenum content which increases the resistance against corrosion. Toughened transparent glass 10mm thick MICROPOOL, 12mm thick MINIPOOL/POOL. Mechanical resistance IK 10 Silicone gaskets.

LIGHTING PERFORMANCE

The holes along the ring of the luminaire allow for water circulation and work as an effective cooling system: the water enters the lower holes, circulates inside the recessing box and, once it's heated, it flows out of the upper holes. The spectral distribution of the light is intended to change the appearance of the scene or object lit. Not intended for use in other applications. Lamp fixed position. LOR --

RECESSING BOX

Recessing box in technopolymer with front ring in stainless steel AISI 316L with cable entry on all 4 sides also allows: 1) Easy wiring; 2) Easy access to the fitting for maintenance purposes.

WIRING

Single cable entry with M20 brass cable gland. Luminaire hard wired with 6 m. cable (6 x 1mm²) cable type H07RN8-F for MICROPOOL RGBW, 6 m. cable (6 x 1mm²) cable type H07RN8-F for MINIPOOL RGBW and 8 m. cable (6 x 1mm²) cable type H07RN8-F for POOL RGBW closed by cable gland and sealed with B component epoxy resin, wired internally protected by silicon sheaths Corrugated plastic pipe 5m long for MICROPOOL and MINIPOOL, 7m long for POOL. Isolation: CLASS III . Available colours: Stainless steel (cod.19). Weight: 6.4 Kg

Lamp included.

The luminaire cannot be installed out of the water .

Not suitable for immersion in sea water.

Suitable for swimming pools in concrete and metal, recessed to the wall and on the bottom.

POOL REGISTERED DESIGN

This luminaire contains built-in LED modules with energy class: A, A+, A++. In case of damage or malfunction please contact the manufacturer to receive additional instructions on how to replace and relative spare parts to order. The LED modules cannot be handled in the luminaire by the end user (Regulation UE 874/2012).

LED circuit boards are engineered accordingly to actual Lumen Maintenance regulation (LM80) and Technical Memorandum (TM21) where uniformity and quality of light is 50.000 hours referred to L70 B20 Ta 25°C.

Lifecycle refers to LED circuit boards only, all others components of the luminaire are excluded.

TECHNICAL DATA SHEET ART. S.3630.19 - POOL ACCESSORIES



S.3493 DMX CONTROLLER SET

This DMX system includes a controller (A) and a control unit (B).

The controller has a wall fixed base wired to the control unit.

With the controller (A) simple sceneries can be programmed and managed.

The control unit (B) memorizes and runs the light sceneries generated by the controller (A) through a DMX signal. Moreover it can memorize complex light sceneries created with a computer using a professional DMX software.

IP20



S.3494 REMOTE CONTROL UNIT

It allows the wireless connection via radio waves between the controller (A) and the control unit (B).

Hence the controller (A) becomes portable.

IP20



S.3660 JUNCTION BOX IP65*

Junction box with cable glands for 3 cables IN (possibility of 3 more cables IN with S.3670 accessories)

Maximum load capacity 500Kg

Dimensions 300mm x300mm x230mm



S.3670 1 ADDITIONAL CABLE GLAND

Required for the connection of over 2 luminaires to the junction box /power supply.



S.3667 JUNCTION BOX WITH RGBW POWER SUPPLY 70W 240V/24V PWM

IP65 power supply for: N°4 Micropool LED RGBW** or

N°4 Minipool LED RGBW** or N°2 Pool LED RGBW

maximum load capacity 500Kg

Dimensions 300mm x300mm x230mm

** = require 2 x S.3670 additional cable gland