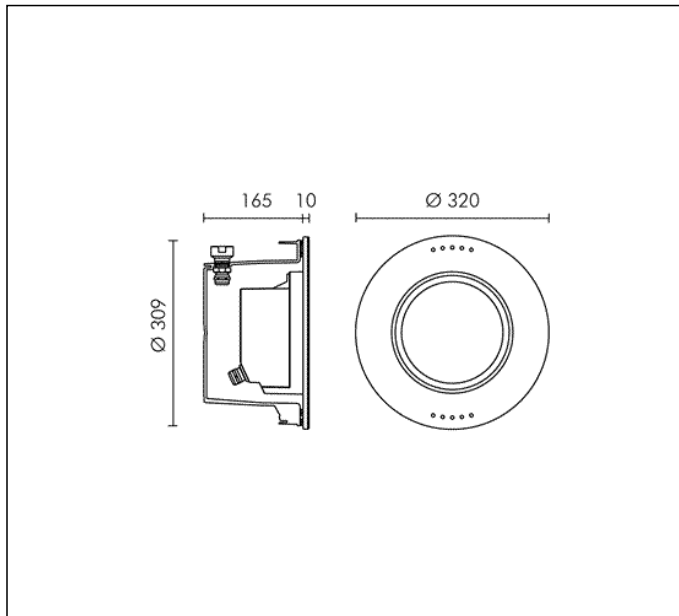


TECHNICAL DATA SHEET ART. S.3627SC.19 - POOL

Version is available on request



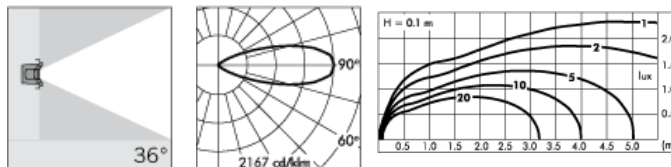
12 MODULES LED 6000K 24V 3340lm CRI 70

Rated luminaire luminous flux: 1489lm

Rated input power: 34W

Luminaire efficacy: 44lm/W

Without transformer



CE III IP 68 - 3m A A+ A++

PRODUCT TYPE

Submersion luminaire. IP rating IP 68

MATERIAL CHARACTERISTICS

Talc-filled technopolymer housing. Marine grade stainless steel AISI 316L front trim 2 mm thick. A4 grade Stainless Steel screws with 2,5-3% molybdenum content which increases the resistance against corrosion. Toughened transparent glass 10mm thick MICROPOOL, 12mm thick MINIPOOL/POOL. Mechanical resistance IK 10 Silicone gaskets.

LIGHTING PERFORMANCE

The holes along the ring of the luminaire allow for water circulation and work as an effective cooling system: the water enters the lower holes, circulates inside the recessing box and, once it's heated, it flows out of the upper holes. Lamp fixed position. LOR --

RECESSING BOX

Recessing box in technopolymer with front ring in stainless steel AISI 316L with cable entry on all 4 sides also allows: 1) Easy wiring; 2) Easy access to the fitting for maintenance purposes.

WIRING

Single cable entry with M20 brass cable gland. Luminaire hard wired with 6 m. cable (2 x 1,5 mm²) cable type H07RN8-F for MICROPOOL, 6 m. cable (2 x 2,5 mm²) cable type H07RN8-F for MINIPOOL and 8 m. cable (2 x 2,5 mm²) cable type H07RN8-F for POOL closed by cable gland and sealed with B component epoxy resin, wired internally protected by silicon sheaths Corrugated plastic pipe 5m long for MICROPOOL and MINIPOOL, 7m long for POOL. MICROPOOL, MINIPOOL and POOL with cold white led work also with traditional systems 12V CA (proper to substitute existing lamps for swimming pool with magnetic transformer 230V/12V CA). Isolation: CLASS III. Available colours: Stainless steel (cod.19). Weight: 5.7 Kg

Lamp included.

Not suitable for immersion in sea water.

Suitable for swimming pools in concrete and metal, recessed to the wall and on the bottom.

POOL REGISTERED DESIGN

This luminaire contains built-in LED modules with energy class: A, A+, A++. In case of damage or malfunction please contact the manufacturer to receive additional instructions on how to replace and relative spare parts to order. The LED modules cannot be handled in the luminaire by the end user (Regulation UE 874/2012).

LED circuit boards are engineered accordingly to actual Lumen Maintenance regulation (LM80) and Technical Memorandum (TM21) where uniformity and quality of light is 50.000 hours referred to L70 B20 Ta 25°C.

Lifecycle refers to LED circuit boards only, all others components of the luminaire are excluded.

TECHNICAL DATA SHEET ART. S.3627SC.19 - POOL ACCESSORIES



S.3665
JUNCTION BOX WITH POWER SUPPLY
70W 240V/24V c.c.
IP65 power supply for: N°4 Micropool LED** o N°3 Minipool LED* or N°2 Pool LED
maximum load capacity 500Kg
Dimensions 300mm x300mm x230mm
** = require 2 x S.3670 additional cable gland
* = require 1 x S.3670 additional cable gland



S.3670
1 ADDITIONAL CABLE GLAND
Required for the connection of over 2 luminaires to the junction box /power supply.



S.3660
JUNCTION BOX IP65*
Junction box with cable glands for 3 cables IN (possibility of 3 more cables IN with S.3670 accessories)
Maximum load capacity 500Kg
Dimensions 300mm x300mm x230mm



CAS3627