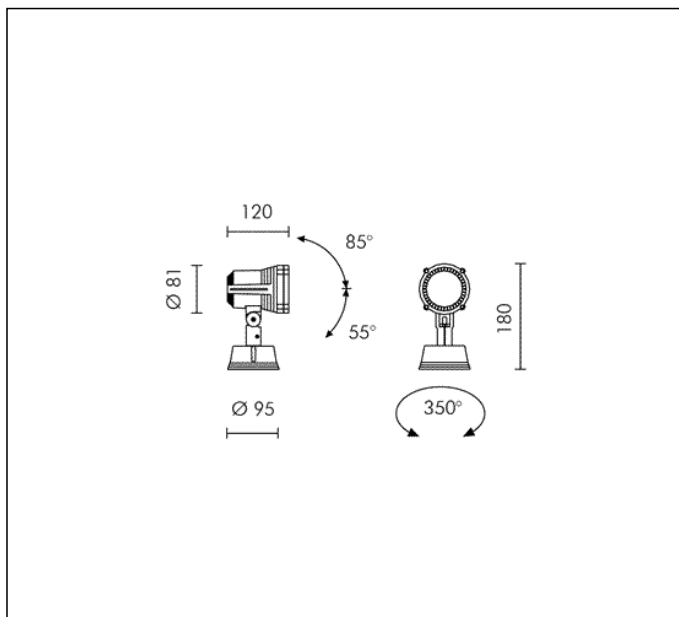
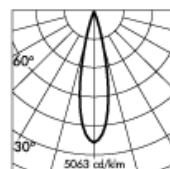
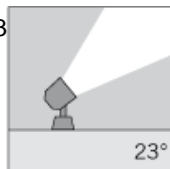


TECHNICAL DATA SHEET ART. S.3594W - MICROTECHNO SPOT



3 MODULES LED 3000K 230V 315lm 3W CRI 90 MacAdam step 3
 Rated luminaire luminous flux: 182lm
 Rated input power: 4.3W
 Luminaire efficacy: 42lm/W
 Electronic ballast 220÷240V 50/60Hz



h(m)	23° Ø(m)	3000K E(lx)
1	0.41	924
2	0.81	231
3	1.22	103
4	1.63	58
5	2.03	37



PRODUCT TYPE

Projector. IP rating IP 65

MATERIAL CHARACTERISTICS

Aluminium die cast housing in EN AB-47100 (low copper content) with high resistance against corrosion. Stone wash surface treatment prior to painting process. A4 grade Stainless Steel screws with 2,5-3% molybdenum content which increases the resistance against corrosion. Pre treated Silicone Gaskets. Painting Process : 3 Step Process

1) Surface treatment with BONDERITE. A heavy metal free chemical surface treatment containing ceramic nano particles giving a cohesive, inorganic and highly dense protective coating. 2) PRE POLYMERIZATION a process of introducing an epoxy primer with excellent characteristics to the paint which also offers very high resistance to oxidation due to its Zinc content. 3) POLYMERIZATION a process with the application of polyester powder with high resistance against UV rays and harsh weather conditions. Resistance test protection for Marine applications for 1200h. 4 mm thick tempered glass diffuser. Mechanical resistance IK 06 Maximum load capacity --

LIGHTING PERFORMANCE

The lathed anodized reflector is composed of 99,98% pure anodized aluminium with a bright polish finish (with HIT lamp version). LOR --

INSTALLATION AND MAINTENANCE

The projector is supplied with graduated ferrules on both sides of the fitting. Power supply connection takes place by means of a disconnecting switch. This facilitates installation on walls because you can attach the base and do the wiring, positioning the complete unit at the end of the installation.

WIRING

Single cable entry. Isolation: CLASS I . Available colours: Aluminium grey (cod.14), Anthracite grey (cod.24). Weight: 0.8 Kg Glow Wire test: 850°C

L.E.D circuit included.

This luminaire contains built-in LED modules with energy class: A, A+, A++. In case of damage or malfunction please contact the manufacturer to receive additional instructions on how to replace and relative spare parts to order. The LED modules cannot be handled in the luminaire by the end user (Regulation UE 874/2012).

LED circuit boards are engineered accordingly to actual Lumen Maintenance regulation (LM80) and Technical Memorandum (TM21) where uniformity and quality of light is 50.000 hours referred to L70 B20 Ta 25°C.

Lifecycle refers to LED circuit boards only, all others components of the luminaire are excluded.

TECHNICAL DATA SHEET ART. S.3594W - MICROTECHNO SPOT ACCESSORIES



S.3524 STAKE

In POLYPROPYLENE.
Colour: black (code 09)
Length = 270 mm
The 90 mm upper part must stay above ground level,
according to the norm.
(not suitable for REEF bollard versions)



S.3520 PROTECTIVE GRILL

In die-cast aluminium. To be installed instead of the
aluminium ring holder.



S.3523 VISOR

In die-cast aluminium. To be installed instead of the
aluminium ring holder.

Further information

FIXING BASE

