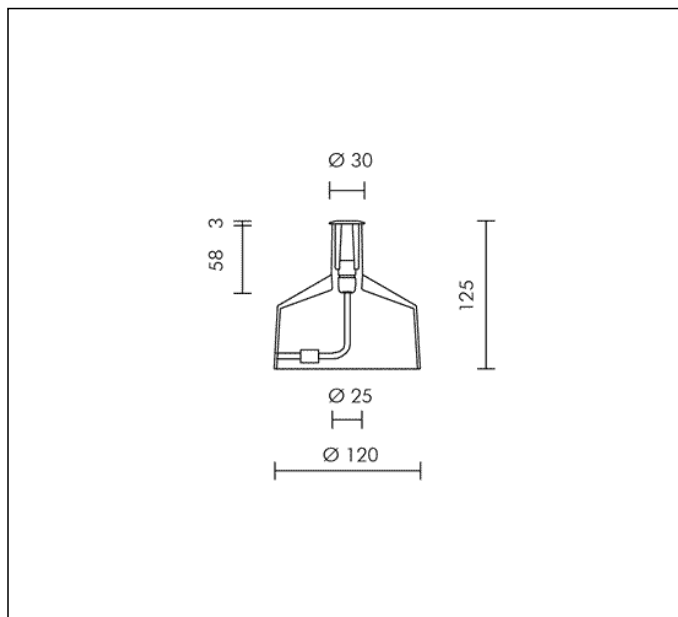
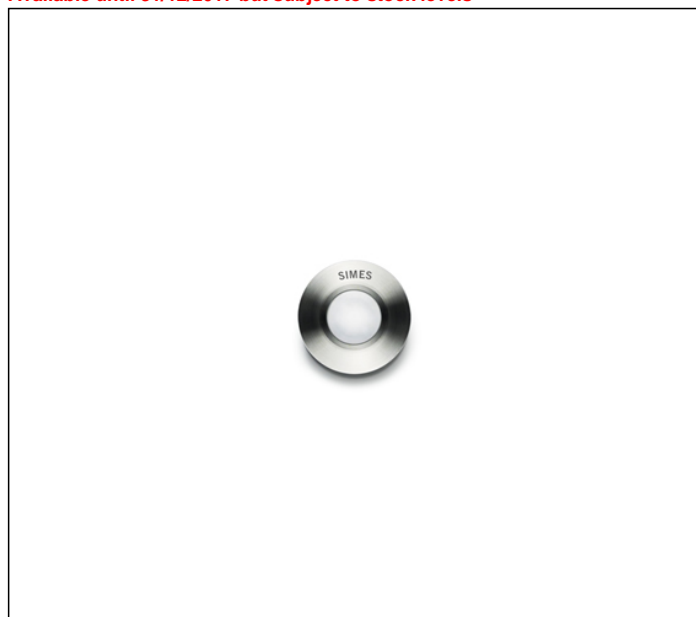


## TECHNICAL DATA SHEET ART. S.3280W.19 - NANOLED WALK-OVER ROUND 30mm

Available until 31/12/2017 but subject to stock levels



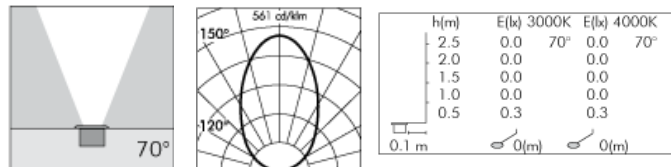
1 MODULES LED 3000K 24V 11lm 0.5W CRI 80

Rated luminaire luminous flux: 2lm

Rated input power: 0.5W

Luminaire efficacy: 4lm/W

Without transformer



### PRODUCT TYPE

Inground walk over fitting. Recessing depth 125 mm. IP rating IP 67

### MATERIAL CHARACTERISTICS

Polycarbonate structure and diffuser. 2 mm thick front trim in Stainless Steel - Grade AISI 316L with 2,5 -3% molybdenum content, with high resistance against corrosion. The polycarbonate body is cast together with the stainless steel ring as a single piece. Absence of screws (the luminaire is fixed to the recessing box through clips). Recessing box in polypropylene. Mechanical resistance of diffusor IK 09 Maximum load capacity 1000 Kg

### LIGHTING PERFORMANCE

Polycarbonate diffuser. Lamp fixed position. LOR --

### LOW SURFACE TEMPERATURE

Surface temperature of glass 34°C (Ta 25°C)

### RECESSING BOX

Polypropylene recessing box with cable entry on all 2 sides also allows: 1) Easy wiring; 2) Cable management for IP67 fast connector; 3) Easy access to the fitting for maintenance purposes.

### WIRING

Luminaire hard wired with H05RN-F cable 3 meter long. Isolation: CLASS III . Available colours: Stainless steel (cod.19). Weight: 0.4 Kg Glow Wire test: --

L.E.D circuit included.

NANOLED PATENTED 2013

This luminaire contains built-in LED modules with energy class: A, A+, A++. In case of damage or malfunction please contact the manufacturer to receive additional instructions on how to replace and relative spare parts to order. The LED modules cannot be handled in the luminaire by the end user (Regulation UE 874/2012).

LED circuit boards are engineered accordingly to actual Lumen Maintenance regulation (LM80) and Technical Memorandum (TM21) where uniformity and quality of light is 50.000 hours referred to L70 B20 Ta 25°C.

Lifecycle refers to LED circuit boards only, all others components of the luminaire are excluded.

## TECHNICAL DATA SHEET ART. S.3280W.19 - NANOLED WALK-OVER ROUND 30mm ACCESSORIES



**S.3400**  
**ELECTRONIC POWER SUPPLY 10W 24V D.C. IP20**  
In: 240V Alternate Current  
Out: 24V Direct Current.  
The Total power of all connected luminaires may not be higher than the power of the driver.  
Dimensions: 120 x 35 x 20 mm.



**S.3401**  
**BOX IP 55 WITH ELECTRONIC POWER SUPPLY 10W 24V D.C.**  
(Electronic power supply included)  
Dimensions: 230 x 210 x 80 mm.  
Cable IN: 2 with cable glands PG11  
Cable OUT: 6 with cable glands PG11  
IP55 CLASS II  
The Total power of all connected luminaires may not be higher than the power of the driver.



**S.3422**  
**BOX WITH DIMMABLE REMOTE POWER SUPPLY 50W 1-10V IP55**  
50W 240V/24V d.c. 1-10V  
5 Exit  
The Total power of all connected luminaires may not be higher than the power of the driver.  
Dimensions 260x260x100mm  
IP55



**S.3407**  
**REMOTE POWER SUPPLY 100W IP66**  
for monochromatic LED 100W 240V/24V DC.  
IP66  
The Total power of all connected luminaires may not be higher than the power of the driver.  
Dimensions 210mm x70mm x40mm