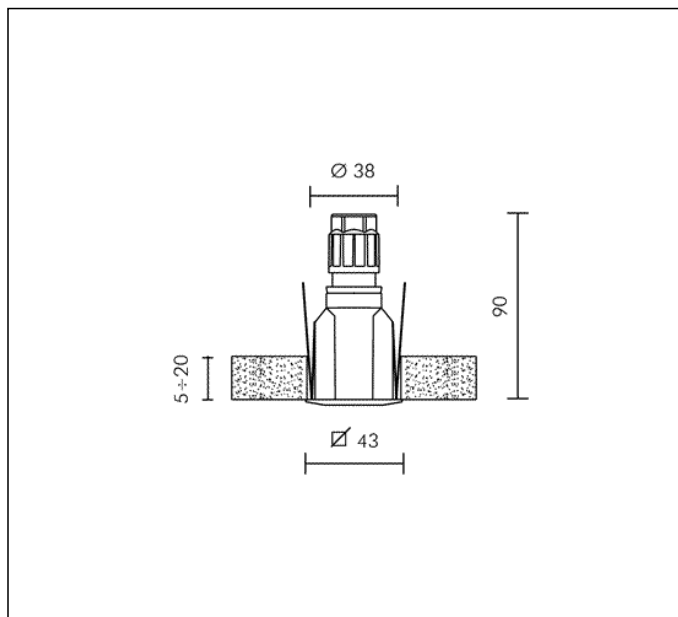


## TECHNICAL DATA SHEET ART. S.3266W.19 - NANOLED DOWN LIGHT SQUARE 45mm

Available until 31/12/2017 but subject to stock levels



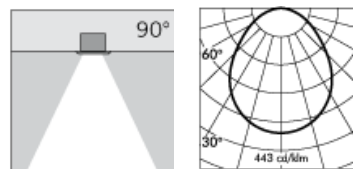
1 MODULES LED 3000K 24V 55lm 1.25W CRI 80

Rated luminaire luminous flux: 18lm

Rated input power: 1.25W

Luminaire efficacy: 14lm/W

Without transformer



h(m)	90° Ø(m)	3000K E(lx)	4000K E(lx)
0.4	0.83	50	71
0.8	1.66	12	18
1.2	2.49	6	8
1.6	3.33	3	4
2.0	4.16	2	3



### PRODUCT TYPE

False ceiling-recessed down-light fitting. Recessing depth 125 mm. IP rating IP 67

### MATERIAL CHARACTERISTICS

Polycarbonate structure and diffuser. 2 mm thick front trim in Stainless Steel - Grade AISI 316L with 2,5 -3% molybdenum content, with high resistance against corrosion. The polycarbonate body is cast together with the stainless steel ring as a single piece. Absence of screws (the luminaire is fixed to the recessing box through clips). Mechanical resistance IK 09 Maximum load capacity --

### LIGHTING PERFORMANCE

Polycarbonate diffuser. Lamp fixed position. LOR --

### LOW SURFACE TEMPERATURE

Surface temperature of diffuser -- (Ta 25°C)

### INSTALLATION

Down-light version supplied with clips for installation in false-ceilings 5÷20mm thick with a Ø 38 mm hole.

### WIRING

Luminaire supplied with fast connector. Isolation: CLASS III . Available colours: Stainless steel (cod.19). Weight: 0.1 Kg Glow Wire test: 850°C

L.E.D circuit included.

NANOLED PATENTED 2013

This luminaire contains built-in LED modules with energy class: A, A+, A++. In case of damage or malfunction please contact the manufacturer to receive additional instructions on how to replace and relative spare parts to order. The LED modules cannot be handled in the luminaire by the end user (Regulation UE 874/2012).

LED circuit boards are engineered accordingly to actual Lumen Maintenance regulation (LM80) and Technical Memorandum (TM21) where uniformity and quality of light is 50.000 hours referred to L70 B20 Ta 25°C.

Lifecycle refers to LED circuit boards only, all others components of the luminaire are excluded.

