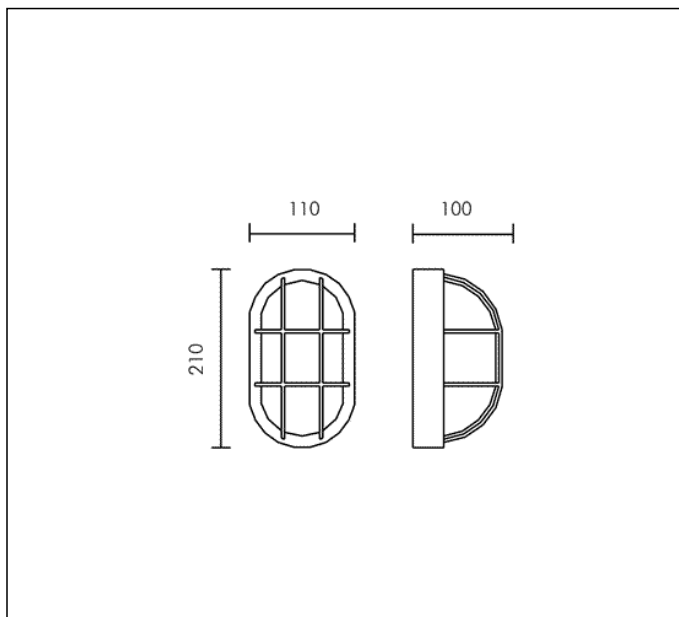
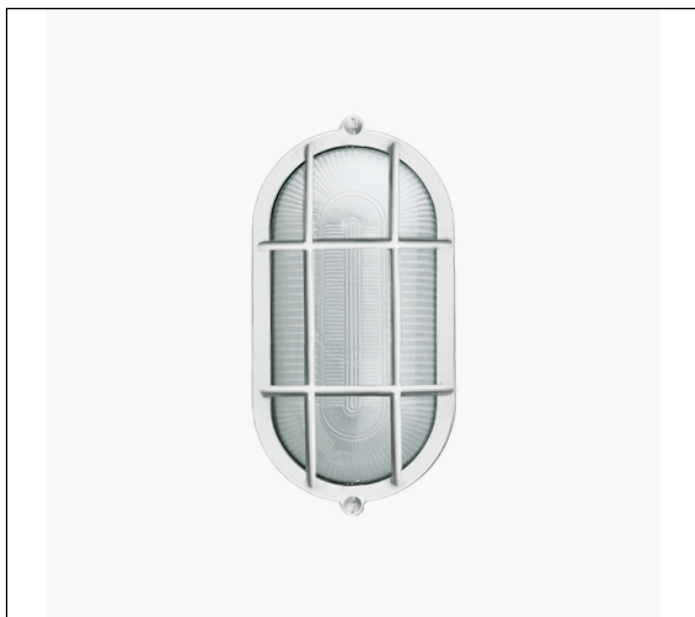
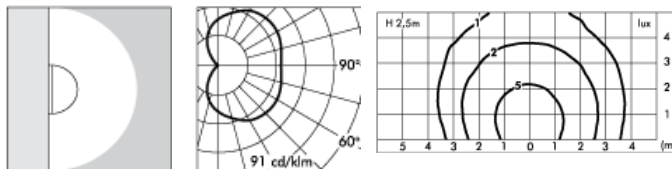


TECHNICAL DATA SHEET ART. S.145/G - PLAFONIERE OVAL



TC-DEL 13W G24q-1900lm
 Rated luminaire luminous flux: 477lm
 Rated input power: 17W
 Luminaire efficacy: 28lm/W (LOR: 51%)
 Electronic ballast 230÷240V 50Hz



PRODUCT TYPE

Wall mounted luminaire. IP rating IP 54

MATERIAL CHARACTERISTICS

Aluminium die cast housing in EN AB-47100 (low copper content) with high resistance against corrosion. Stone wash surface treatment prior to painting process. A4 grade Stainless Steel screws with 2,5-3% molybdenum content which increases the resistance against corrosion. EPDM gaskets. Painting Process : 3 Step Process

1) Surface treatment with BONDERITE. A heavy metal free chemical surface treatment containing ceramic nano particles giving a cohesive, inorganic and highly dense protective coating. 2) PRE POLYMERIZATION a process of introducing an epoxy primer with excellent characteristics to the paint which also offers very high resistance to oxidation due to its Zinc content. 3) POLYMERIZATION a process with the application of polyester powder with high resistance against UV rays and harsh weather conditions. Resistance test protection for Marine applications for 1200h. Mechanical resistance IK 06

LIGHTING PERFORMANCE

Sand blasted glass diffuser. Lamp fixed position. LOR 51%

WIRING

Supply double cable entry. Isolation: CLASS I . Available colours: White (cod.01), Black (cod.09). Weight: 1 Kg Glow Wire test: 850°C

Lamp not included.

This luminaire is compatible with bulbs of the energy classes: A (Regulation UE 874/2012).

EMERGENCY VERSIONS

On request the fittings could be provided with electronic ballast which operate both on AC (50/60Hz), both on DC (0Hz) voltage.