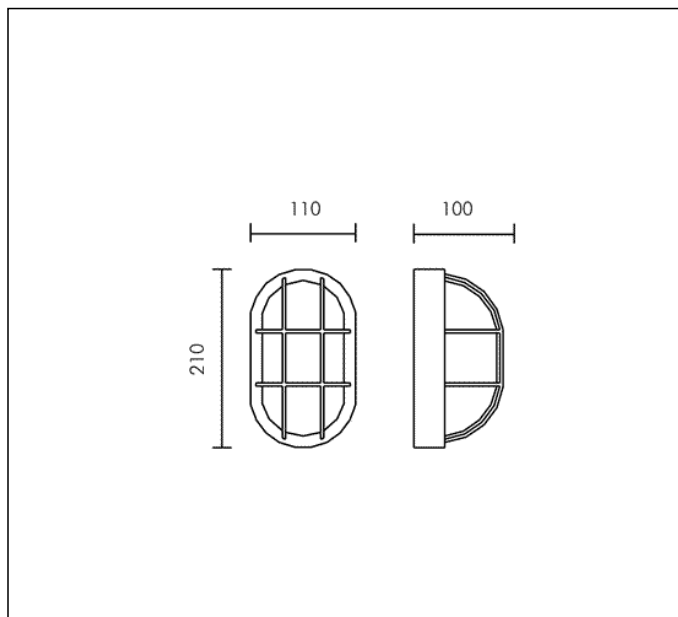
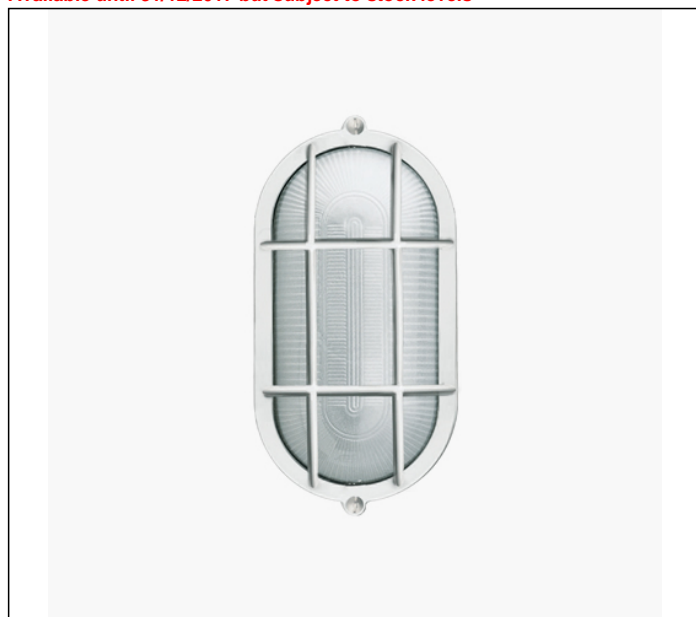
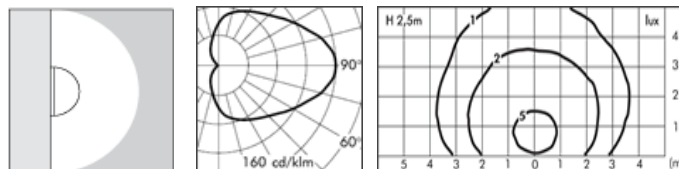


## TECHNICAL DATA SHEET ART. S.14/G - PLAFONIERE OVAL

Available until 31/12/2017 but subject to stock levels



A60 60W E27 730lm  
 Rated luminaire luminous flux: 452lm  
 Rated input power: 60W  
 Luminaire efficacy: 8lm/W (LOR: 62%)  
 220÷240V 50/60Hz



### PRODUCT TYPE

Wall mounted luminaire. IP rating IP 54

### MATERIAL CHARACTERISTICS

Aluminium die cast housing in EN AB-47100 (low copper content) with high resistance against corrosion. Stone wash surface treatment prior to painting process. A4 grade Stainless Steel screws with 2,5-3% molybdenum content which increases the resistance against corrosion. EPDM gaskets. Painting Process : 3 Step Process

1) Surface treatment with BONDERITE. A heavy metal free chemical surface treatment containing ceramic nano particles giving a cohesive, inorganic and highly dense protective coating. 2) PRE POLYMERIZATION a process of introducing an epoxy primer with excellent characteristics to the paint which also offers very high resistance to oxidation due to its Zinc content. 3) POLYMERIZATION a process with the application of polyester powder with high resistance against UV rays and harsh weather conditions. Resistance test protection for Marine applications for 1200h. Mechanical resistance IK 06

### LIGHTING PERFORMANCE

Reflector in 99.98% pure anodized aluminium . Sand blasted glass diffuser Lamp fixed position. LOR 62%

### WIRING

Supply double cable entry. Isolation: CLASS I . Available colours: White (cod.01), Black (cod.09). Weight: 0.8 Kg Glow Wire test: 850°C

Lamp not included.

This luminaire is compatible with bulbs of the energy classes: D (Regulation UE 874/2012).