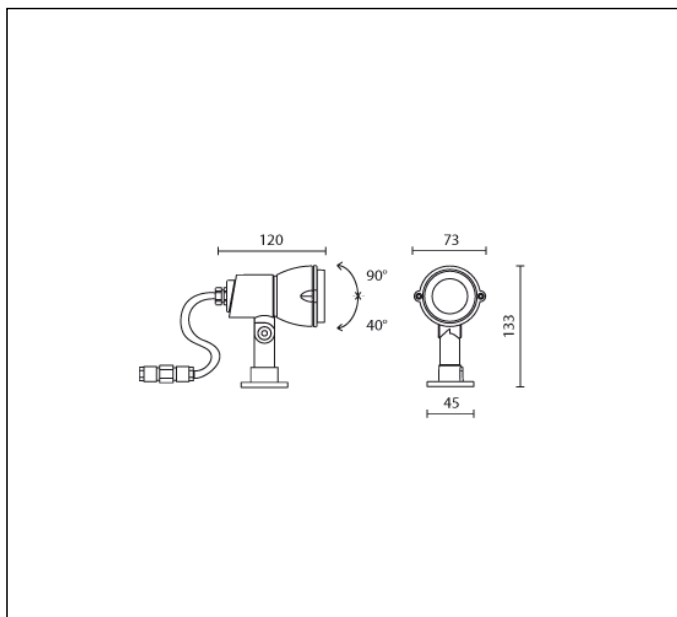
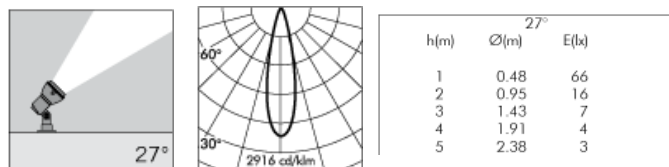


TECHNICAL DATA SHEET ART. S.1099 - NANOFOCUS



3 MODULES LED RGB 24V PWM
 Rated luminaire luminous flux: 22lm
 Rated input power: 3.6W
 Luminaire efficacy: 6lm/W
 Without transformer



CE III IP 66

A A+ A++

PRODUCT TYPE

Projector. IP rating IP 66

MATERIAL CHARACTERISTICS

Aluminium die cast housing in EN AB-47100 (low copper content) with high resistance against corrosion. Stone wash surface treatment prior to painting process. 2 mm thick front trim in Stainless Steel - Grade AISI 316L with 2,5 -3% molybdenum content, with high resistance against corrosion. A4 grade Stainless Steel screws with 2,5-3% molybdenum content which increases the resistance against corrosion. Pre treated Silicone Gaskets. Painting Process : 3 Step Process

1) Surface treatment with BONDERITE. A heavy metal free chemical surface treatment containing ceramic nano particles giving a cohesive, inorganic and highly dense protective coating. 2) PRE POLYMERIZATION a process of introducing an epoxy primer with excellent characteristics to the paint which also offers very high resistance to oxidation due to its Zinc content. 3) POLYMERIZATION a process with the application of polyester powder with high resistance against UV rays and harsh weather conditions. Resistance test protection for Marine applications for 1200h. The 3 mm thick tempered glass diffuser is fixed to the external body by a silicon resin and positioned flush with the support ring. Mechanical resistance IK 06 Maximum load capacity --

LIGHTING PERFORMANCE

The spectral distribution of the light is intended to change the appearance of the scene or object lit. Not intended for use in other applications. LOR --

INSTALLATION AND MAINTENANCE

The projector is supplied with graduated ferrules on both sides of the fitting.

WIRING

Single cable entry with PG 13,5 (Ø 6÷12 mm) cable gland in nicked brass. Isolation: CLASS III . Available colours: Aluminium grey (cod.14). Weight: 0.65 Kg Glow Wire test: 960°C

L.E.D circuit included.

NANOFOCUS REGISTERED DESIGN

This luminaire contains built-in LED modules with energy class: A, A+, A++. In case of damage or malfunction please contact the manufacturer to receive additional instructions on how to replace and relative spare parts to order. The LED modules cannot be handled in the luminaire by the end user (Regulation UE 874/2012).

LED circuit boards are engineered accordingly to actual Lumen Maintenance regulation (LM80) and Technical Memorandum (TM21) where uniformity and quality of light is 50.000 hours referred to L70 B20 Ta 25°C.

Lifecycle refers to LED circuit boards only, all others components of the luminaire are excluded.

TECHNICAL DATA SHEET ART. S.1099 - NANOFOCUS ACCESSORIES



S.3411
REMOTE RGBW PWM POWER SUPPLY 50W IP55
50W 240V/24V PWM
 IP55 box with 50W power supply 240V/24V PWM controlled by DMX protocol.
 The Total power of all connected luminaires may not be higher than the power of the driver.
 Dimensions 260mm x260mm x100mm



S.3413
REMOTE RGBW PWM POWER SUPPLY 100W IP55
100W 240V/24V PWM
 IP55 box with 100W power supply 240V/24V PWM controlled by DMX protocol.
 The Total power of all connected luminaires may not be higher than the power of the driver.
 Dimensions 260mm x260mm x100mm



S.3493
DMX CONTROLLER SET
 This DMX system includes a controller (A) and a control unit (B).
 The controller has a wall fixed base wired to the control unit.
 With the controller (A) simple sceneries can be programmed and managed.
 The control unit (B) memorizes and runs the light sceneries generated by the controller (A) through a DMX signal. Moreover it can memorize complex light sceneries created with a computer using a professional DMX software.
 IP20



S.3494
REMOTE CONTROL UNIT
 It allows the wireless connection via radio waves between the controller (A) and the control unit (B).
 Hence the controller (A) becomes portable.
 IP20



S.1010
ANTIGLARE VISOR
 Colour: Aluminium grey (code .14)



S.1012
CLAMP
 Colour: Aluminium grey (code .14)



S.1011
STRAP FOR APPLICATIONS ON TREES
 Black strap, length 40 cm.



S.1014
GROUND STAKE
 In POLYPROPYLENE. Colour: black (code .09) The 35 mm upper part must stay above ground level, according to the norm.

Further information

FIXING BASE

