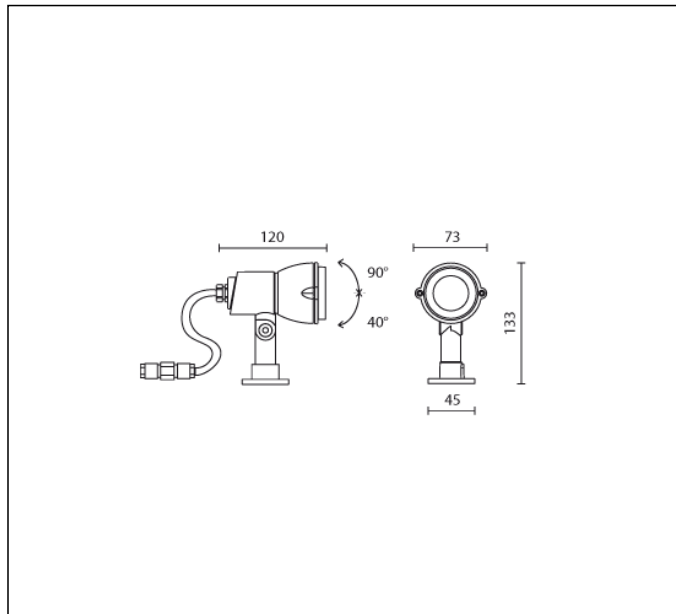


TECHNICAL DATA SHEET ART. S.1091 - NANOFOCUS

Available until 31/12/2017 but subject to stock levels



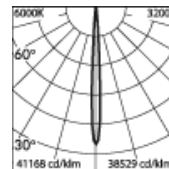
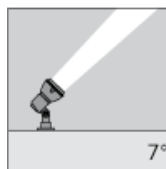
1 MODULES LED 6000K 230V 130lm 1W CRI 75

Rated luminaire luminous flux: 101lm

Rated input power: 2.6W

Luminaire efficacy: 39lm/W

Electronic ballast 220÷240V 50/60Hz



h(m)	7° Ø(m)	6000K E(lx)	3200K E(lx)
1	0.12	4187	3319
2	0.24	1047	830
3	0.36	456	369
4	0.48	262	207
5	0.59	167	133

CE IP 66

PRODUCT TYPE

Projector. IP rating IP 66

MATERIAL CHARACTERISTICS

Aluminium die cast housing in EN AB-47100 (low copper content) with high resistance against corrosion. Stone wash surface treatment prior to painting process. 2 mm thick front trim in Stainless Steel - Grade AISI 316L with 2,5 -3% molybdenum content, with high resistance against corrosion. A4 grade Stainless Steel screws with 2,5-3% molybdenum content which increases the resistance against corrosion. Pre treated Silicone Gaskets. Painting Process : 3 Step Process

1) Surface treatment with BONDERITE. A heavy metal free chemical surface treatment containing ceramic nano particles giving a cohesive, inorganic and highly dense protective coating. 2) PRE POLYMERIZATION a process of introducing an epoxy primer with excellent characteristics to the paint which also offers very high resistance to oxidation due to its Zinc content. 3) POLYMERIZATION a process with the application of polyester powder with high resistance against UV rays and harsh weather conditions. Resistance test protection for Marine applications for 1200h. The 3 mm thick tempered glass diffuser is fixed to the external body by a silicon resin and positioned flush with the support ring. Mechanical resistance IK 06 Maximum load capacity --

LIGHTING PERFORMANCE

LOR --

INSTALLATION AND MAINTENANCE

The projector is supplied with graduated ferrules on both sides of the fitting.

WIRING

Supplied with a 0,6m pre-wired H05RN-F cable (S.1091-S.1091W-S.1090-S.1090W) and fast connector. Isolation: CLASS I . Available colours: Aluminium grey (cod.14).

Weight: 0.6 Kg Glow Wire test: 960°C

L.E.D circuit included.

NANOFOCUS REGISTERED DESIGN

This luminaire contains built-in LED modules with energy class: A, A+, A++. In case of damage or malfunction please contact the manufacturer to receive additional instructions on how to replace and relative spare parts to order. The LED modules cannot be handled in the luminaire by the end user (Regulation UE 874/2012).

LED circuit boards are engineered accordingly to actual Lumen Maintenance regulation (LM80) and Technical Memorandum (TM21) where uniformity and quality of light is 50.000 hours referred to L70 B20 Ta 25°C.

Lifecycle refers to LED circuit boards only, all others components of the luminaire are excluded.

TECHNICAL DATA SHEET ART. S.1091 - NANOFOCUS ACCESSORIES



S.1010
ANTIGLARE VISOR
Colour: Aluminium grey (code .14)



S.1012
CLAMP
Colour: Aluminium grey (code .14)



S.1011
STRAP FOR APPLICATIONS ON TREES
Black strap, length 40 cm.



S.1014
GROUND STAKE
In POLYPROPYLENE. Colour: black (code .09) The 35 mm upper part must stay above ground level, according to the norm.

Further information

FIXING BASE

