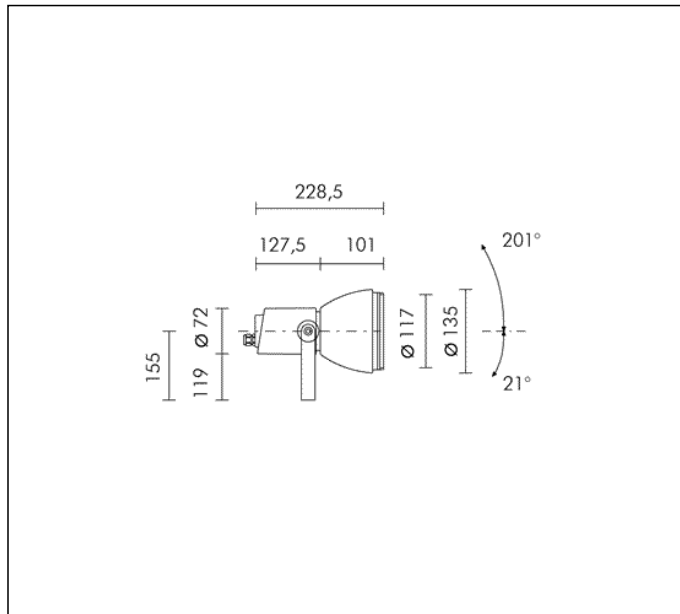


TECHNICAL DATA SHEET ART. S.1058 - MICROFOCUS

Available until 31/12/2017 but subject to stock levels



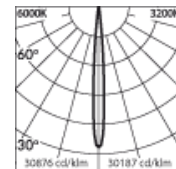
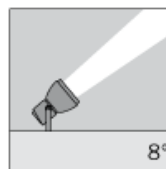
5 MODULES LED 6000K 230V 1555lm 15.8W CRI 75

Rated luminaire luminous flux: 1287lm

Rated input power: 17.7W

Luminaire efficacy: 73lm/W

Electronic ballast 220÷240V 0/50/60Hz



h(m)	8° Ø(m)	6000K E(lx)	3200K E(lx)
2	0.29	9937	8322
4	0.59	2484	2080
6	0.88	1104	925
8	1.17	621	520
10	1.47	397	333

CE IP 66

A A+ A++

PRODUCT TYPE

Projector. IP rating IP 66

MATERIAL CHARACTERISTICS

Aluminium die cast housing in EN AB-47100 (low copper content) with high resistance against corrosion. Stone wash surface treatment prior to painting process. 2 mm thick front trim in Stainless Steel - Grade AISI 316L with 2,5 -3% molybdenum content, with high resistance against corrosion. A4 grade Stainless Steel screws with 2,5-3% molybdenum content which increases the resistance against corrosion. Pre treated Silicone Gaskets. Painting Process :

3 Step Process

1) Surface treatment with BONDERITE. A heavy metal free chemical surface treatment containing ceramic nano particles giving a cohesive, inorganic and highly dense protective coating. 2) PRE POLYMERIZATION a process of introducing an epoxy primer with excellent characteristics to the paint which also offers very high resistance to oxidation due to its Zinc content. 3) POLYMERIZATION a process with the application of polyester powder with high resistance against UV rays and harsh weather conditions. Resistance test protection for Marine applications for 1200h. The 5 mm thick tempered glass diffuser is fixed to the external body by a silicon resin and positioned flush with the support ring. Mechanical resistance IK 09 Maximum load capacity --

LIGHTING PERFORMANCE

The lathed anodized reflector is composed of 99,98% pure anodized aluminium with a bright polish finish (Version with LED COB).LOR --

INSTALLATION AND MAINTENANCE

The projector is supplied with graduated ferrules in AISI 316L stainless steel on both sides of the fitting. The screws that fix the front glass holder to the main body of the projector are also in AISI 316L stainless steel with anti loss washers . The glass diffuser and front support ring are secured to the body of the projector by a pivoting hinge assembly that when opened allows for easy access to the lamp and the reflector.

WIRING

Single cable entry with PG 13,5 (Ø 6÷12 mm) cable gland in nicked brass. Isolation: CLASS I . Available colours: Aluminium grey (cod.14). Weight: 1.8 Kg Glow Wire test: 960°C

L.E.D circuit included.

MICROFOCUS REGISTERED DESIGN

This luminaire contains built-in LED modules with energy class: A, A+, A++. In case of damage or malfunction please contact the manufacturer to receive additional instructions on how to replace and relative spare parts to order. The LED modules cannot be handled in the luminaire by the end user (Regulation UE 874/2012).

LED circuit boards are engineered accordingly to actual Lumen Maintenance regulation (LM80) and Technical Memorandum (TM21) where uniformity and quality of light is 50.000 hours referred to L70 B20 Ta 25°C.

Lifecycle refers to LED circuit boards only, all others components of the luminaire are excluded.

EMERGENCY VERSIONS

The fittings operates both on AC (50/60Hz) and DC (0Hz) voltage.

TECHNICAL DATA SHEET ART. S.1058 - MICROFOCUS ACCESSORIES



**S.1002
VISOR**
Colour: black (code 09)



**S.1003
ADJUSTABLE BARN DOORS**
Every box S.1003 contains only one flap. To receive the complete system of 4 flaps you have to order n°4 S.1003. Colour: black (code 09).



**S.1004
STAKE**
In POLYPROPYLENE. Colour: black (code .09). The 100 mm upper part must stay above ground level, according to the norm.

Further information

FIXING BASE

