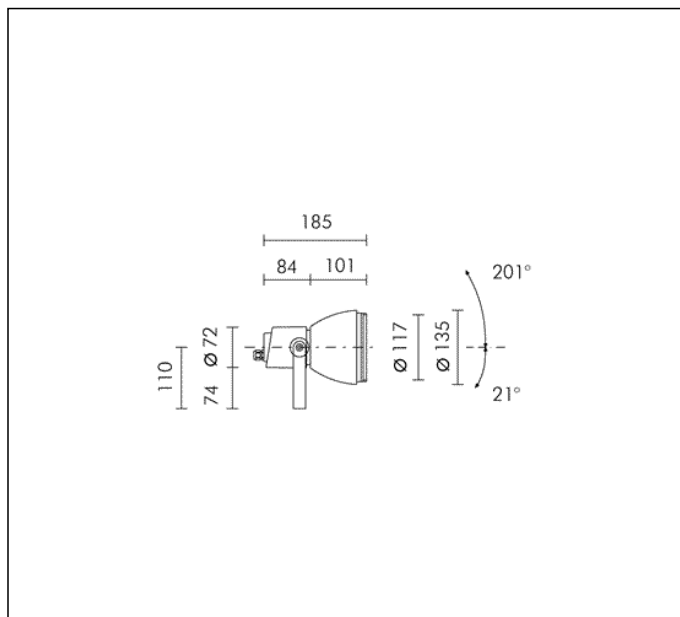
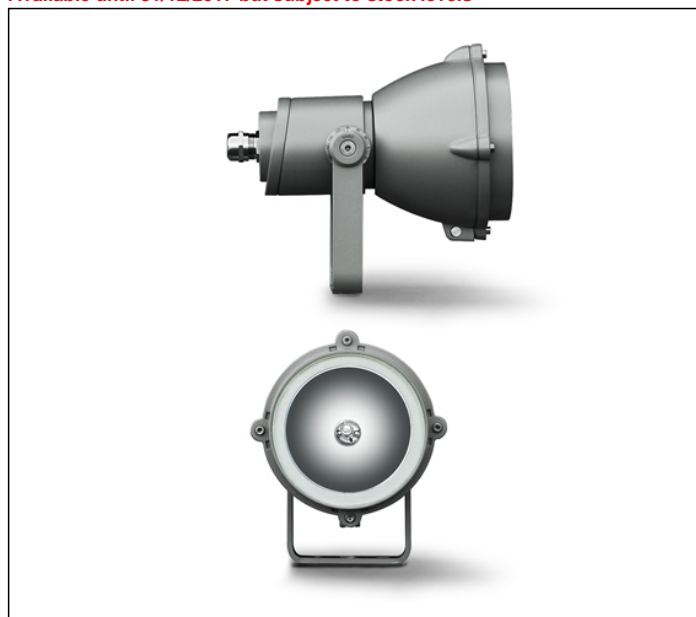
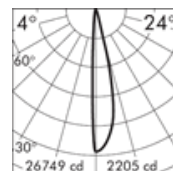
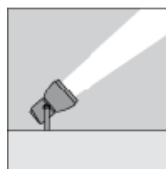


TECHNICAL DATA SHEET ART. S.1050 - MICROFOCUS

Available until 31/12/2017 but subject to stock levels



QR-LP 111 50W G53
 Rated luminaire luminous flux: 582lm
 Rated input power: 52W
 Luminaire efficacy: 11lm/W (LOR: --)
 Electronic ballast 230÷240V 50/60Hz



h(m)	4°		24°	
	Ø(m)	E(lx)	Ø(m)	E(lx)
2	0.13	13298	0.87	982
4	0.27	3324	1.74	245
6	0.40	1478	2.62	109
8	0.53	831	3.49	61
10	0.66	532	4.36	39

CE IP 66



PRODUCT TYPE

Projector. IP rating IP 66

MATERIAL CHARACTERISTICS

Aluminium die cast housing in EN AB-47100 (low copper content) with high resistance against corrosion. Stone wash surface treatment prior to painting process. 2 mm thick front trim in Stainless Steel - Grade AISI 316L with 2,5 -3% molybdenum content, with high resistance against corrosion. A4 grade Stainless Steel screws with 2,5-3% molybdenum content which increases the resistance against corrosion. Pre treated Silicone Gaskets. Painting Process : 3 Step Process 1) Surface treatment with BONDERITE. A heavy metal free chemical surface treatment containing ceramic nano particles giving a cohesive, inorganic and highly dense protective coating. 2) PRE POLYMERIZATION a process of introducing an epoxy primer with excellent characteristics to the paint which also offers very high resistance to oxidation due to its Zinc content. 3) POLYMERIZATION a process with the application of polyester powder with high resistance against UV rays and harsh weather conditions. Resistance test protection for Marine applications for 1200h. The 5 mm thick tempered glass diffuser is fixed to the external body by a silicon resin and positioned flush with the support ring. Mechanical resistance IK 09 Maximum load capacity --

LIGHTING PERFORMANCE

The lathed anodized reflector is composed of 99,98% pure anodized aluminium with a bright polish finish. LOR --

INSTALLATION AND MAINTENANCE

The projector is supplied with graduated ferrules in AISI 316L stainless steel on both sides of the fitting. The screws that fix the front glass holder to the main body of the projector are also in AISI 316L stainless steel with anti loss washers . The glass diffuser and front support ring are secured to the body of the projector by a pivoting hinge assembly that when opened allows for easy access to the lamp and the reflector. All the internal accessories such as lenses, coloured filters and antiglare shield are fixed to the pivoting front support ring and allow for easy access to the lamp and reflector .

WIRING

Single cable entry with PG 13,5 (Ø 6÷12 mm) cable gland in nicked brass. Isolation: CLASS I . Available colours: Aluminium grey (cod.14). Weight: 1.5 Kg Glow Wire test: 960°C

Lamp not included.

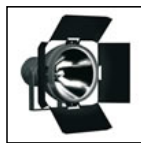
MICROFOCUS REGISTERED DESIGN

This luminaire is compatible with bulbs of the energy classes: C (Regulation UE 874/2012).

TECHNICAL DATA SHEET ART. S.1050 - MICROFOCUS ACCESSORIES



**S.1002
VISOR**
Colour: black (code 09)



**S.1003
ADJUSTABLE BARN DOORS**
Every box S.1003 contains only one flap. To receive the complete system of 4 flaps you have to order n°4 S.1003. Colour: black (code 09).



**S.1000
ELLIPSOIDAL LENS**
To install inside the fitting.
For versions with 4° and 8° reflector.

Available until 31/12/2017 but subject to stock levels



**S.1001
WIDE LENS**
To install inside the fitting.
For versions with 24° reflector.



**S.1004
STAKE**
In POLYPROPYLENE. Colour: black (code .09). The 100 mm upper part must stay above ground level, according to the norm.

Further information

FIXING BASE

