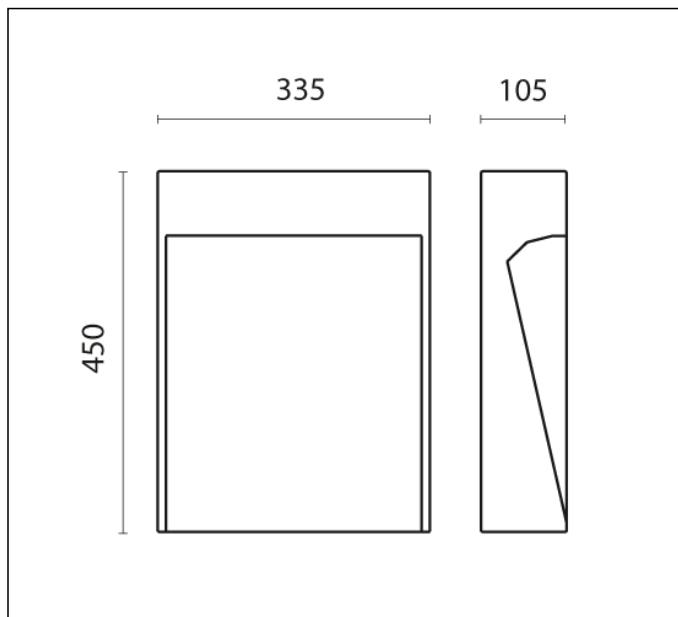


TECHNICAL DATA SHEET ART. C.8105N - CONCRETE BOLLARD H 450mm

Version is available on request



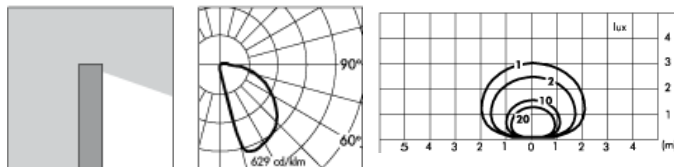
MODULES LED 4000K 230V 1245lm CRI 90 MacAdam step 3

Rated luminaire luminous flux: 431lm

Rated input power: 13.5W

Luminaire efficacy: 32lm/W

Electronic ballast 220÷240V 50/60Hz



* Photometric measured using WHITE LED 3000K



PRODUCT TYPE

Bollard fitting. IP rating IP 65

MATERIAL CHARACTERISTICS

Concrete covering with added synthetic fibers with high mechanical strength. Lighting fixture in die-cast EN AB-47100 aluminium (low copper content) housing with high corrosion resistance. Stone wash surface treatment prior to painting process. A4 grade Stainless Steel screws with 2,5-3% molybdenum content which increases the resistance against corrosion. Silicone gaskets. This product has been manufactured with hand crafted procedures, therefore small imperfections, subsidence of the concrete surface, actual cracks and future, colour ripples and variations over time, are deliberately present and they are a feature of the concrete product, proving the hand-made manufacturing procedure. Mechanical resistance IK 06

LIGHTING PERFORMANCE

Toughened glass diffuser. LOR --

WIRING

Supplied with single cable entry with PG. Isolation: CLASS II . Available colours: . Weight: 6.93 Kg Glow Wire test: --

L.E.D circuit included.

CONCRETE BOLLARD REGISTERED DESIGN

This luminaire contains built-in LED modules with energy class: A, A+, A++. In case of damage or malfunction please contact the manufacturer to receive additional instructions on how to replace and relative spare parts to order. The LED modules cannot be handled in the luminaire by the end user (Regulation UE 874/2012).

LED circuit boards are engineered accordingly to actual Lumen Maintenance regulation (LM80) and Technical Memorandum (TM21) where uniformity and quality of light is 50.000 hours referred to L70 B20 Ta 25°C.

Lifecycle refers to LED circuit boards only, all others components of the luminaire are excluded.

TECHNICAL DATA SHEET ART. C.8105N - CONCRETE BOLLARD H 450mm ACCESSORIES



S.6359

FLANGE

Steel flange with stainless steel screws (to be fixed in concrete).