

SHARP FRAME

SHARP FRAME is a LED framing projector suitable for accent lighting in indoor applications. Framing optic shapes the light through thin plates. Available in three colour temperatures. Varnished white (with grey details) or black anodized aluminum finishes. FRAME has an on-board dimmer and an integrated driver.



1-10V | 2700K

LAMPING

Source	LED spot
Total power	23W
Emission	Direct adjustable
Switching	dimmable 1-10V on board
Tension	220/240V
Color temperature	2700K
Luminous flux	870lm
Initial luminaire efficacy	40lm/W
Initial chromaticity	SDCM < 2
Typ CRI	> 94
IP class	20
Dimensions	29,2x31,8x9cm
Materials	Aluminum + polycarbonate
Ambient temperature range	0° / 35°
Performance ambient temperature	25°
Mechanical impact protection code	IK02
Notes	track connector 3C
Customization options	CRI, Temperature colour, Casambi
Net lamp weight	1,85 kg

Codes

MPFB8001C29DBG
MPFB8001C29DAN

Structure

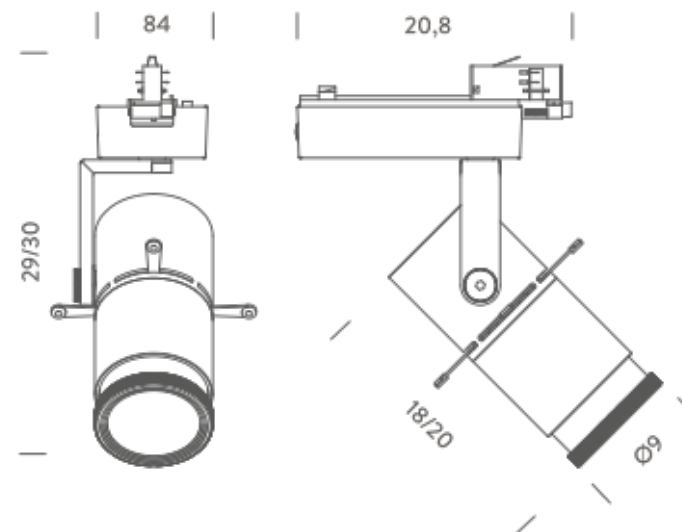
white
black

PACKAGE

Package 01

Dimension: 32x30,5x12,5 cm / Gross weight: 2,15 kg

Certificazioni



1-10V | 3000K

LAMPING

Source	LED spot
Total power	23W
Emission	Direct adjustable
Switching	dimmable 1-10V on board
Tension	220/240V
Color temperature	3000K
Luminous flux	920lm
Initial luminaire efficacy	40lm/W
Initial chromaticity	SDCM < 2
Typ CRI	> 94
IP class	20
Dimensions	29,2x31,8x9cm
Materials	Aluminum + polycarbonate
Ambient temperature range	0° / 35°
Performance ambient temperature	25°
Mechanical impact protection code	IK02
Notes	track connector 3C
Customization options	CRI, Temperature colour, Casambi
Net lamp weight	1,85 kg

Codes

MPFB8001C29WBG
MPFB8001C29WAN

Structure

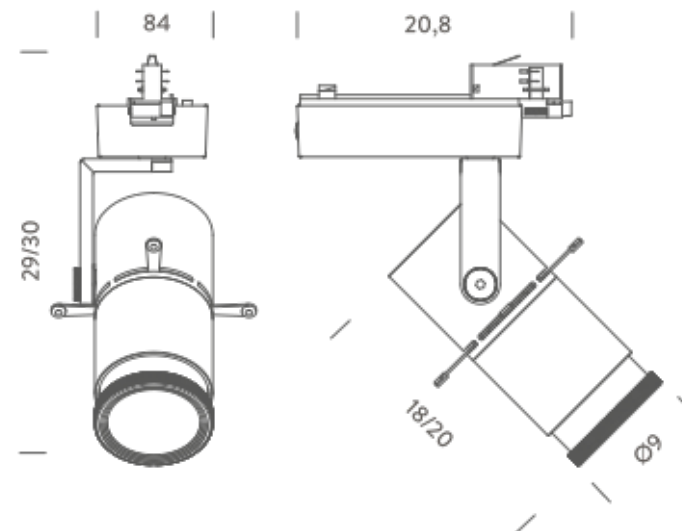
white
black

PACKAGE

Package 01

Dimension: 32x30,5x12,5 cm / Gross weight: 2,15 kg

Certificazioni



1-10V | 4000K

LAMPING

Source	LED spot
Total power	23W
Emission	Direct adjustable
Switching	dimmable 1-10V on board
Tension	220/240V
Color temperature	4000K
Luminous flux	1070lm
Initial luminaire efficacy	40lm/W
Initial chromaticity	SDCM < 2
Typ CRI	> 94
IP class	20
Dimensions	29,2x31,8x9cm
Materials	Aluminum + polycarbonate
Ambient temperature range	0° / 35°
Performance ambient temperature	25°
Mechanical impact protection code	IK02
Notes	track connector 3C
Customization options	CRI, Temperature colour, Casambi
Net lamp weight	1,85 kg

Codes

MPFB8001C29NBG

MPFB8001C29NAN

Structure

white

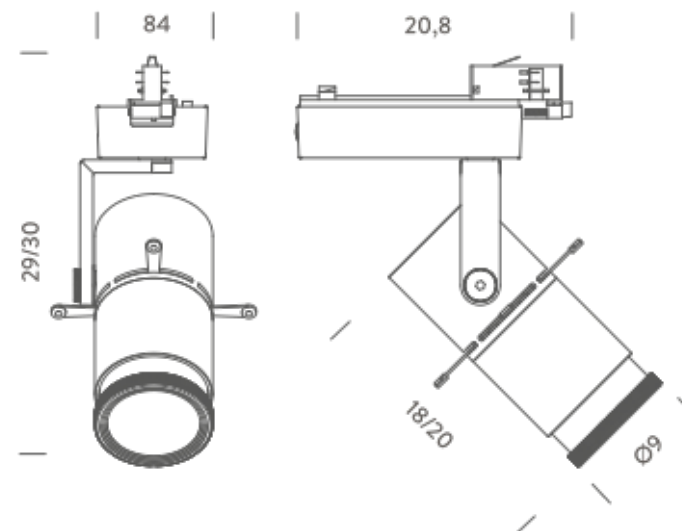
black

PACKAGE

Package 01

Dimension: 32x30,5x12,5 cm / Gross weight: 2,15 kg

Certificazioni



DALI | 2700K

LAMPING

Source	LED spot
Total power	23W
Emission	Direct adjustable
Switching	DALI
Tension	220/240V
Color temperature	2700K
Luminous flux	870lm
Initial luminaire efficacy	40lm/W
Initial chromaticity	SDCM < 2
Typ CRI	> 94
IP class	20
Dimensions	29,2x31,8x9cm
Materials	Aluminum + polycarbonate
Ambient temperature range	0° / 35°
Performance ambient temperature	25°
Mechanical impact protection code	IK02
Notes	track connector 3C
Customization options	CRI, Temperature colour, Casambi
Net lamp weight	1,85 kg

Codes

MPFBDA01C29DBG
MPFBDA01C29DAN

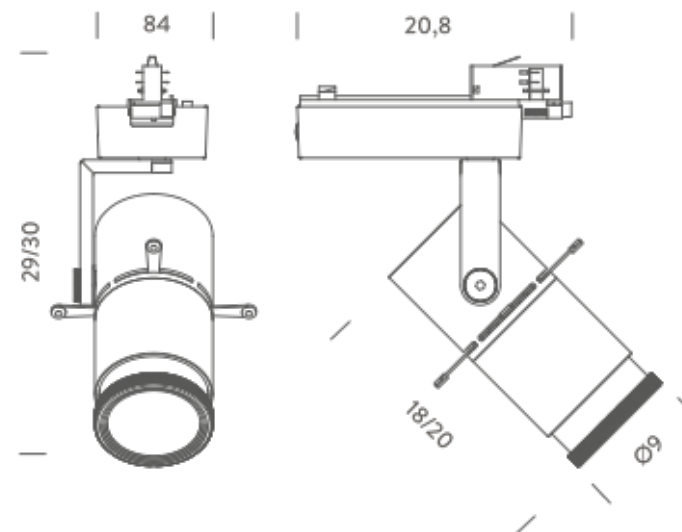
Structure

white
black

PACKAGE

Package 01 Dimension: 32x30,5x12,5 cm / Gross weight: 2,15 kg

Certificazioni



DALI | 3000K

LAMPING

Source	LED spot
Total power	23W
Emission	Direct adjustable
Switching	DALI
Tension	220/240V
Color temperature	3000K
Luminous flux	920lm
Initial luminaire efficacy	40lm/W
Initial chromaticity	SDCM < 2
Typ CRI	> 94
IP class	20
Dimensions	29,2x31,8x9cm
Materials	Aluminum + polycarbonate
Ambient temperature range	-20°C / 35°C
Performance ambient temperature	25°C
Notes	track connector 3C
Net lamp weight	1,85 kg

Codes

MPFBDA01C29WBG
MPFBDA01C29WAN

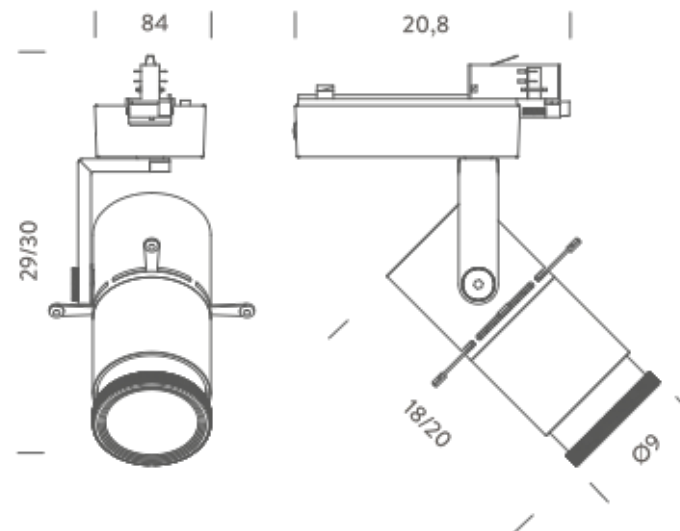
Structure

white
black

PACKAGE

Package 01 Dimension: 32x30,5x12,5 cm / Gross weight: 2,15 kg

Certificazioni



DALI | 4000K

LAMPING

Source	LED spot
Total power	23W
Emission	Direct adjustable
Switching	DALI
Tension	220/240V
Color temperature	4000K
Luminous flux	1070lm
Initial luminaire efficacy	> 50lm/W
Initial chromaticity	SDCM < 2
Typ CRI	> 94
IP class	20
Dimensions	29,2x31,8x9cm
Materials	Aluminum + polycarbonate
Ambient temperature range	-20°C / 35°C
Performance ambient temperature	25°C
Notes	track connector 3C
Net lamp weight	1,85 kg

Codes

MPFBDA01C29NBG
MPFBDA01C29NAN

Structure

white
black

PACKAGE

Package 01 Dimension: 32x30,5x12,5 cm / Gross weight: 2,15 kg

Certificazioni

